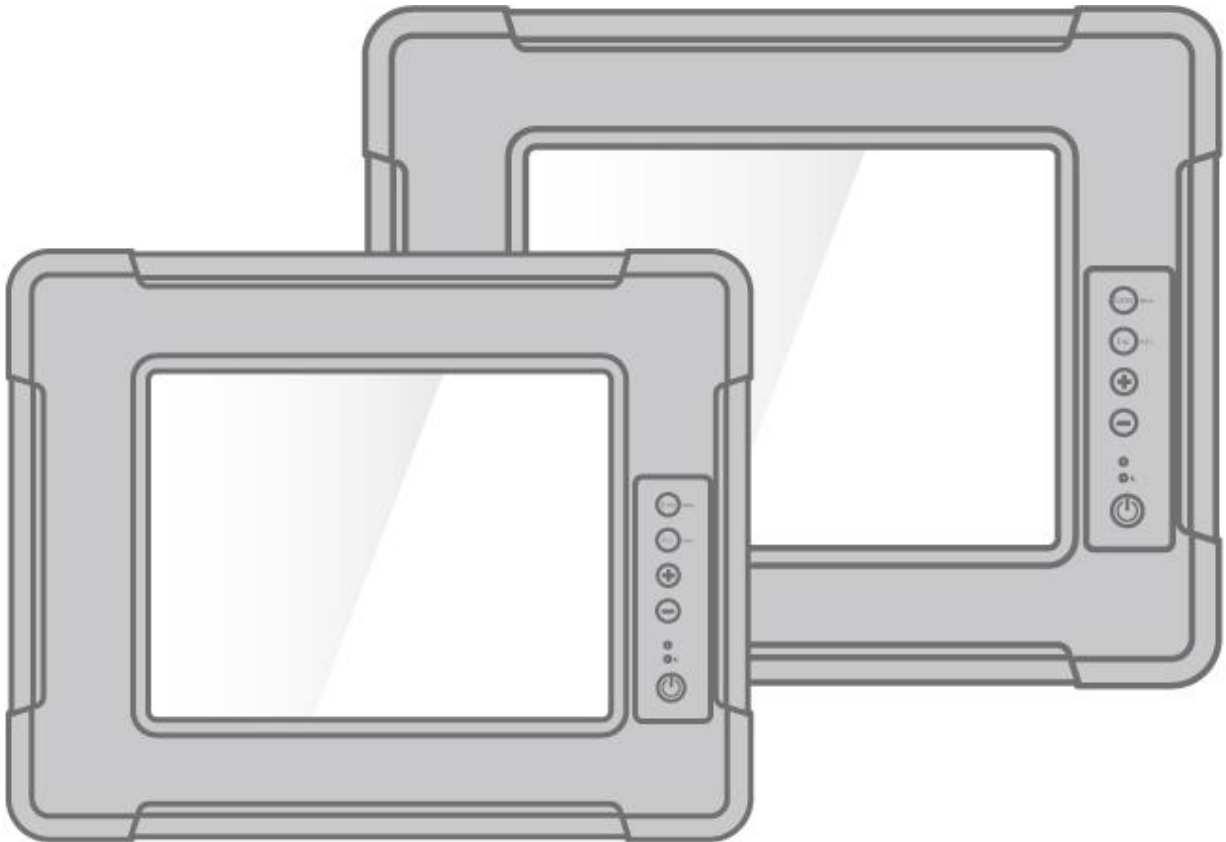


8.4/ 10.4 G-WIN Military Display



Model No.: R08L100-MLU1
R10L100-MLT2
R10L100-MLP1

User Manual

Contents

Preface	3
About This User Manual.....	7
Chapter 1: Introduction	8
1.1 About G-WIN Military Display	9
1.2 Product Features.....	9
1.3 Package Overview	9
1.4 Mechanical Concept.....	10
1.5 Product Overview	10
1.6 External Connectors.....	12
1.7 Physical Buttons and LED Indicators	12
Chapter 2: Installation	13
2.1 Cable Mounting Considerations	14
2.2 Connecting the Power	14
2.3 Mounting Guide	16
2.3.1 VESA Mount.....	16
2.3.2 Yoke Mount	17
2.3.3 Roof Mount	18
2.4 Connecting Peripherals	20
2.5 Connector Description.....	21
2.5.1 VGA Connector	21
2.5.2 S-Video Connector	21
2.5.3 Composite Connector.....	21
Chapter 3: Operating the Device	22
3.1 Turning On/ Off the System.....	23
3.2 Troubleshooting Guide.....	23
3.3 On-Screen Display Menu Navigation	24
Appendix	25
Appendix A: Hardware Specifications	26
Appendix B: Frequency Table	27
Appendix D: Cleaning the Monitor.....	27

Preface

Copyright Notice

No part of this document may be reproduced, copied, translated, or transmitted in any form or by any means, electronic or mechanical, for any purpose, without the prior written permission of the original manufacturer.

Trademark Acknowledgement

Brand and product names are trademarks or registered trademarks of their respective owners.

Disclaimer

We reserve the right to make changes, without notice, to any product, including circuits and/or software described or contained in this manual in order to improve design and/or performance. We assume no responsibility or liability for the use of the described product(s) conveys no license or title under any patent, copyright, or masks work rights to these products, and make no representations or warranties that these products are free from patent, copyright, or mask work right infringement, unless otherwise specified. Applications that are described in this manual are for illustration purposes only. We make no representation or guarantee that such application will be suitable for the specified use without further testing or modification.

Warranty

Our warranty guarantees that each of its products will be free from material and workmanship defects for a period of one year from the invoice date. If the customer discovers a defect, we will, at his/her option, repair or replace the defective product at no charge to the customer, provide it is returned during the warranty period of one year, with transportation charges prepaid. The returned product must be properly packaged in its original packaging to obtain warranty service. If the serial number and the product shipping data differ by over 30 days, the in-warranty service will be made according to the shipping date. In the serial numbers the third and fourth two digits give the year of manufacture, and the fifth digit means the month (e. g., with A for October, B for November and C for December). For example, the serial number 1W16Axxxxxxx means October of year 2016.

Customer Service

We provide a service guide for any problem by the following steps: First, visit the website of our distributor to find the update information about the product. Second, contact with your distributor, sales representative, or our customer service center for technical support if you need additional assistance.

You may need the following information ready before you call:

- Product serial number
- Description of complete problem
- The exact wording of any error messages

In addition, free technical support is available from our engineers every business day. We are always ready to give advice on application requirements or specific information on the installation and operation of any of our products.

Advisory Conventions

Four types of advisories are used throughout the user manual to provide helpful information or to alert you to the potential for hardware damage or personal injury. These are Notes, Important, Cautions, and Warnings. The following is an example of each type of advisory.



Note:

A note is used to emphasize helpful information



Important:

An important note indicates information that is important for you to know.



Caution/ Attention

A Caution alert indicates potential damage to hardware and explains how to avoid the potential problem.

Une alerte 'attention' indique un dommage possible à l'équipement et explique comment éviter le problème potentiel.



Warning!/ Avertissement!

An Electrical Shock Warning indicates the potential harm from electrical hazards and how to avoid the potential problem.

Un Avertissement de Choc Électrique indique le potentiel de choc sur des emplacements électriques et comment éviter ces problèmes.



Alternating Current / Mise à la Terre

The Protective Conductor Terminal (Earth Ground) symbol indicates the potential risk of serious electrical shock due to improper grounding.

Le symbole de Mise à Terre indique le risque potentiel de choc électrique grave à la terre incorrecte.

Safety Information

Warning!/ Avertissement!



Always completely disconnect the power cord from your chassis whenever you work with the hardware. Do not make connections while the power is on. Sensitive electronic components can be damaged by sudden power surges. Only experienced electronics personnel should open the PC chassis. Toujours débrancher le cordon d'alimentation du chassis lorsque vous travaillez sur celui-ci. Ne pas brancher de connexions lorsque l'alimentation est présente. Des composants électroniques sensibles peuvent être endommagés par des sauts d'alimentation. Seulement du personnel expérimenté devrait ouvrir ces chassis.

Caution/ Attention



Always ground yourself to remove any static charge before touching the CPU card. Modern electronic devices are very sensitive to static electric charges. As a safety precaution, use a grounding wrist strap at all times. Place all electronic components in a static-dissipative surface or static-shielded bag when they are not in the chassis. Toujours vérifier votre mise à la terre afin d'éliminer toute charge statique avant de toucher la carte CPU. Les équipements électroniques modernes sont très sensibles aux décharges d'électricité statique. Toujours utiliser un bracelet de mise à la terre comme précaution. Placer toutes les composantes électroniques sur une surface conçue pour dissiper les charges, ou dans un sac anti-statique lorsqu'elles ne sont pas dans le chassis.

Safety Precautions

For your safety carefully read all the safety instructions before using the device. Keep this user manual for future reference.

- Always disconnect this equipment from any AC outlet before cleaning. Do not use liquid or spray detergents for cleaning. Use a damp cloth.
- For pluggable equipment, the power outlet must be installed near the equipment and must be easily accessible.
- Keep this equipment away from humidity.
- Put this equipment on a reliable surface during installation. Dropping it or letting it fall could cause damage.
- The openings on the enclosure are for air convection and to protect the equipment from overheating.



Caution/ Attention

Do not cover the openings!

- Before connecting the equipment to the power outlet make sure the voltage of the power source is correct.
- Position the power cord so that people cannot step on it. Do not place anything over the power cord.
- If the equipment is not used for a long time, disconnect it from the power source to avoid damage by transient over-voltage.
- Never pour any liquid into an opening. This could cause fire or electrical shock.
- Never open the equipment. For safety reasons, only qualified service personnel should open the equipment.
- All cautions and warnings on the equipment should be noted.



Caution/ Attention

Always ground yourself to remove any static charge before touching the board. Modern electronic devices are very sensitive to static electric charges. As a safety precaution, use a grounding wrist strap at all times. Place all electronic components in a static-dissipative surface or static-shielded bag when they are not in the chassis.

About This User Manual

This User Manual provides information about using the Winmate® G-WN Military Display. The documentation set provides information for specific user needs, and includes:

- **G-WIN Military Display User Manual** – contains detailed description on how to use the display, its components and features.

Models

Size	Model Name
8.4"	R08L100-MLU1
10.4"	R10L100-MLT2 R10L100-MLP1



Note:

Some pictures in this guide are samples and can differ from actual product.

Document Revision History

Version	Date	Note
1.0	13-Nov-2018	New document release

Chapter 1: Introduction

This chapter gives you product overview, describes features and hardware specification. You will find all accessories that come with the display device in the packing list. Mechanical dimensions and drawings included in this chapter.

1.1 About G-WIN Military Display

Congratulations on purchasing Winmate® WN Military Display. G-WIN Military series is designed for use in military vehicles, standing up to the harshest environments and weather conditions. The ultra-rugged display was developed to survive in-vehicle military applications with MIL-STD 810F that withstands shocks and vibration.

1.2 Product Features

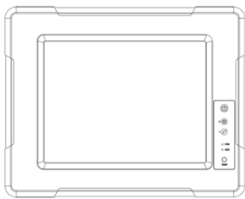
Winate® G-WIN Military Display features:

- 8.4/ 10.4" LCD
- Full IP65 dust and water protection (Except I/ O parts)
- Aluminum housing with anti-corrosion treatments
- Anti-shock and vibration MIL-STD-810F/G & IEC60068-2-27
- 5 wire resistive touchscreen / anti-reflection protection glass (Optional)
- Wide Range Power Input 9 ~36V DC (Optional)

1.3 Package Overview

Carefully remove the box and unpack your display. Please check if all the items listed below are inside your package. If any of these items are missing or damaged contact us immediately.

Standard accessories:



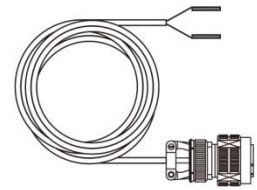
- **Display**
Varies by product specifications



- **User Manual**
P/N: 915215011008

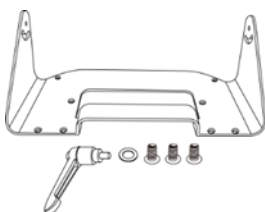


- **Touch Driver CD**
P/N: 9171111T100H



- **Open Wire Cable**
P/N: 94J003L020K2

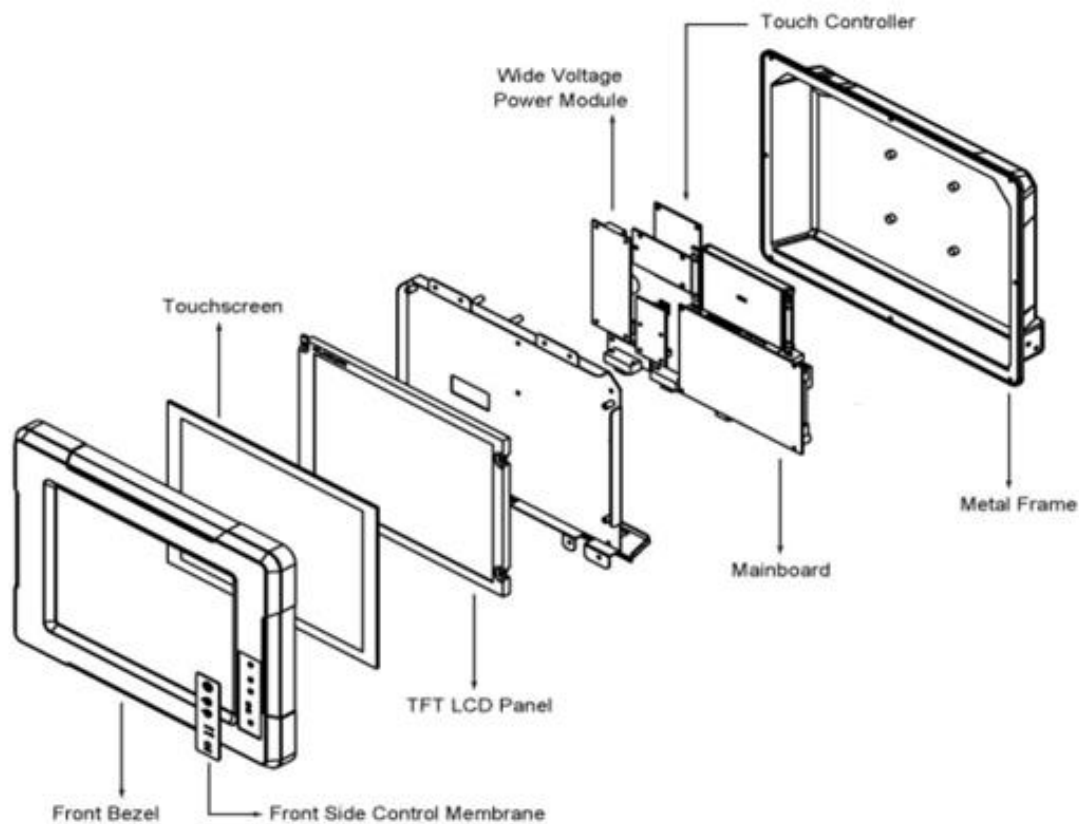
Optional Accessories:



- **Mounting Bracket**
P/N: 8.4":99KK08Z00010
10.4":99KK00Z00010

1.4 Mechanical Concept

On the picture below you can see spare parts exploded drawing of a standard G-WIN Military Display.

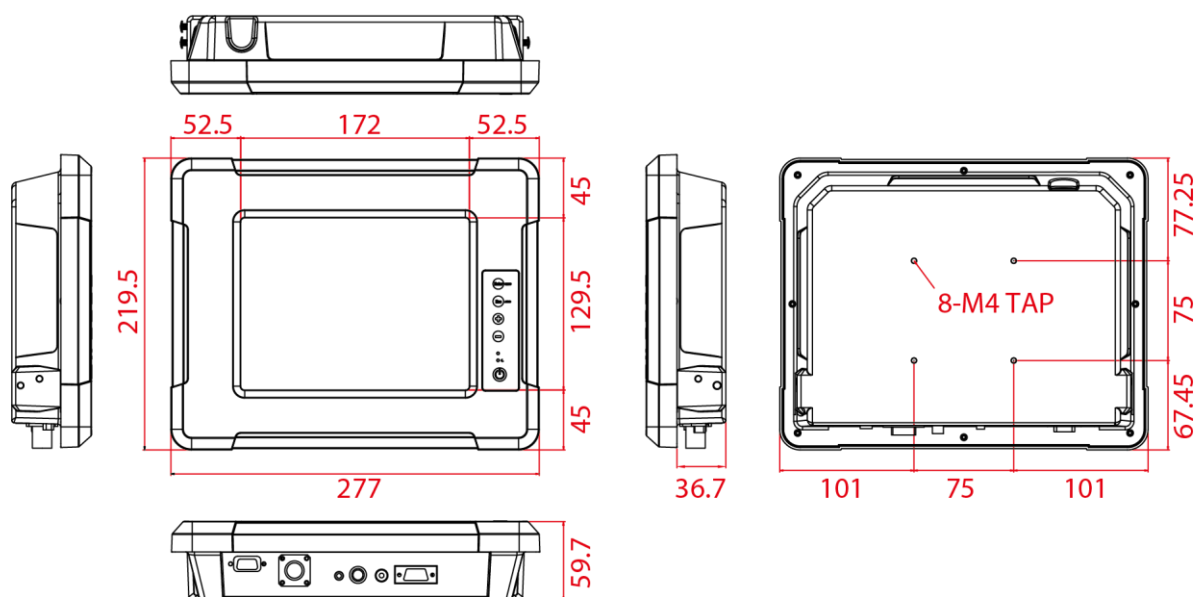


1.5 Product Overview

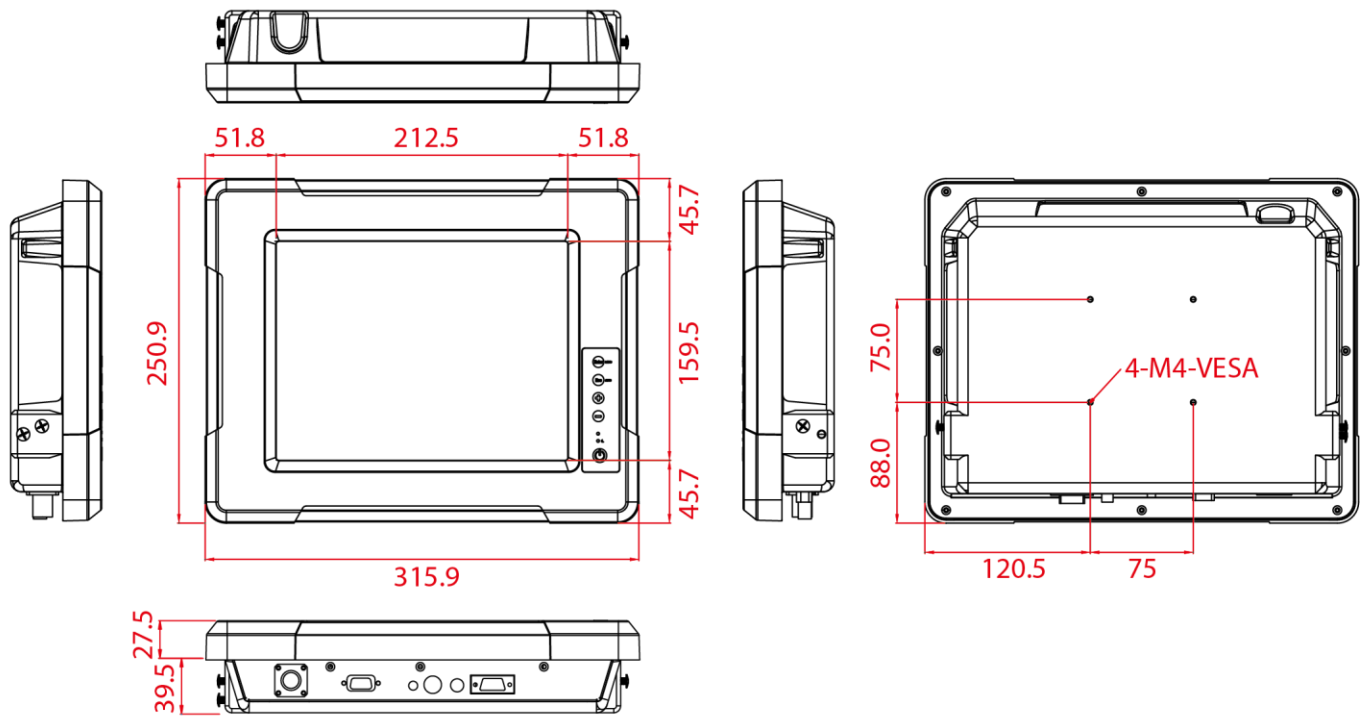
This section describes physical appearance of the G-WIN Military Display.

All dimensions shown in mm.

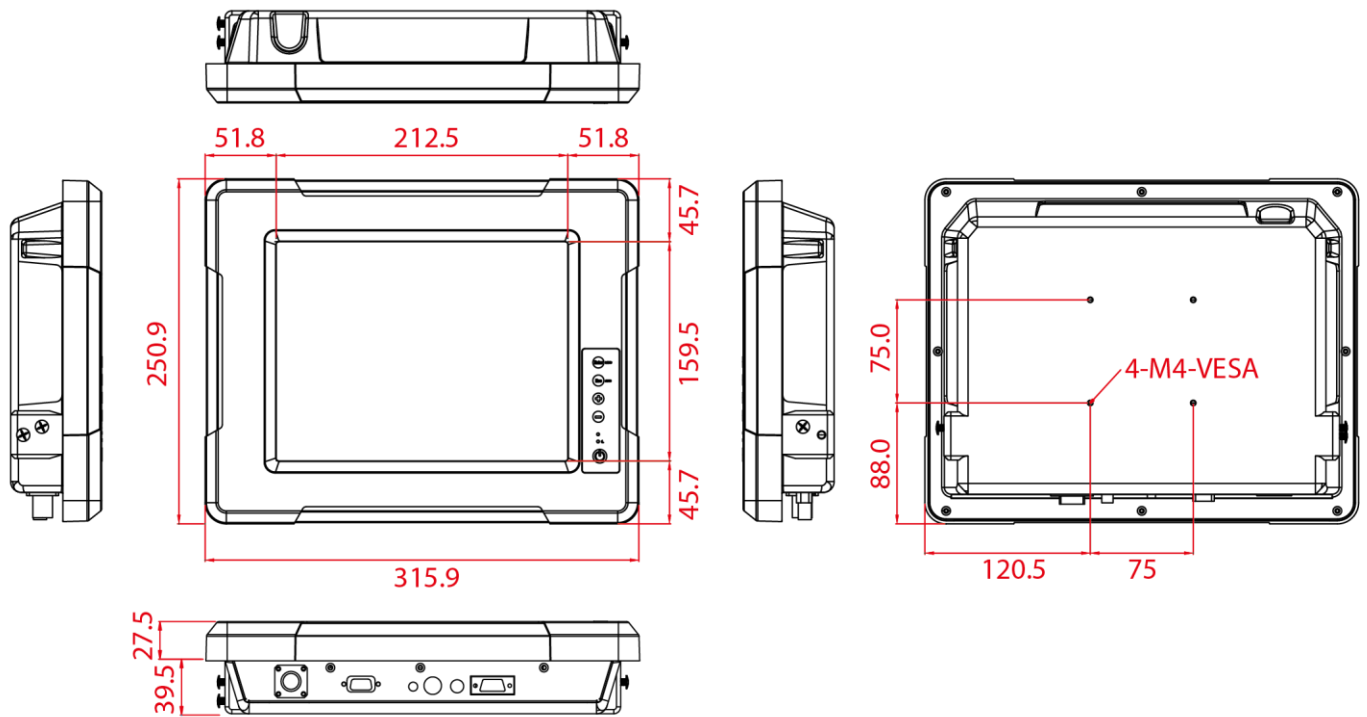
R08L100-MLU1



R10L100-MLT2


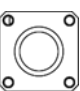

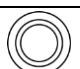

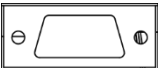


R10L100-MLP1



1.6 External Connectors






Terminal interfaces are located on the rear bottom side of the display.

Item	Description
	RS232 for Touch - Connects touch interface to the monitor. <i>Example: A touch to a monitor.</i>
	Power Input - Military grade lockable power connector (MS27467T9F98S). <i>Example: DC power supply.</i>
	Line in - Transmits audio input signal. <i>Example: Computer audio to be played through the monitor speakers.</i>
	S-Video (Optional) - Transmits S-video signals to display.
	Composite (Optional) - Transmits composite video signals to display.
	VGA - Transmits video from a PC to a monitor. <i>Example: A notebook PC to a monitor.</i>



1.7 Physical Buttons and LED Indicators

Physical buttons and LED indicators located in front or on the rear side of the Display.

Physical Buttons

Item	Function
	Enter/ Menu - Enter / Call the main OSD menu.
	Esc/ Auto - Exit / Auto adjustment.
	Brightness UP - Increase the brightness of the screen, or allows user to navigate items of a single OSD menu.
	Brightness DOWN - Decrease the brightness of the screen, or allows user to navigate items of a single OSD menu.
	Power button - Turn ON or turn OFF the system.

LED Indicators

Icon	Function
	Power Indicator - Lights up in "Green" when the monitor turn on.
	Stand by Indicator - Lights up in "Orange" when the device cannot detect any input source

Chapter 2: Installation

This chapter provides hardware installation instructions and mounting guide for all available mounting options. Pay attention to cautions and warning to avoid any damages

2.1 Cable Mounting Considerations

For a nice look and safe installation, make sure cables are neatly hidden behind the display.



Warning!/ Avertissement!

Observe all local installation requirements for connection cable type and protection level.

Suivre tous les règlements locaux d'installations, de câblage et niveaux de protection.



Warning!/ Avertissement!

Turn off the device and disconnect other peripherals before installation.

Éteindre l'appareil et débrancher tous les périphériques avant l'installation.



Warning!/ Avertissement!

Follow mounting instructions and use recommended mounting hardware to avoid the risk of injury.

Suivez les instructions de montage et d'utilisation recommandé le matériel de montage pour éviter le risque de blessure.



Alternating Current !/ Mise a le Terre!

To prevent electrical shock, the Safety Ground location on the rear must be bonded to the local earth ground through a minimum 12 AWG wire as short as possible

Pour éviter les chocs électriques, l'emplacement de la prise terre à l'arrière doit être lié à terre locale, à travers un 12 AWG minimum et aussi court que possible.

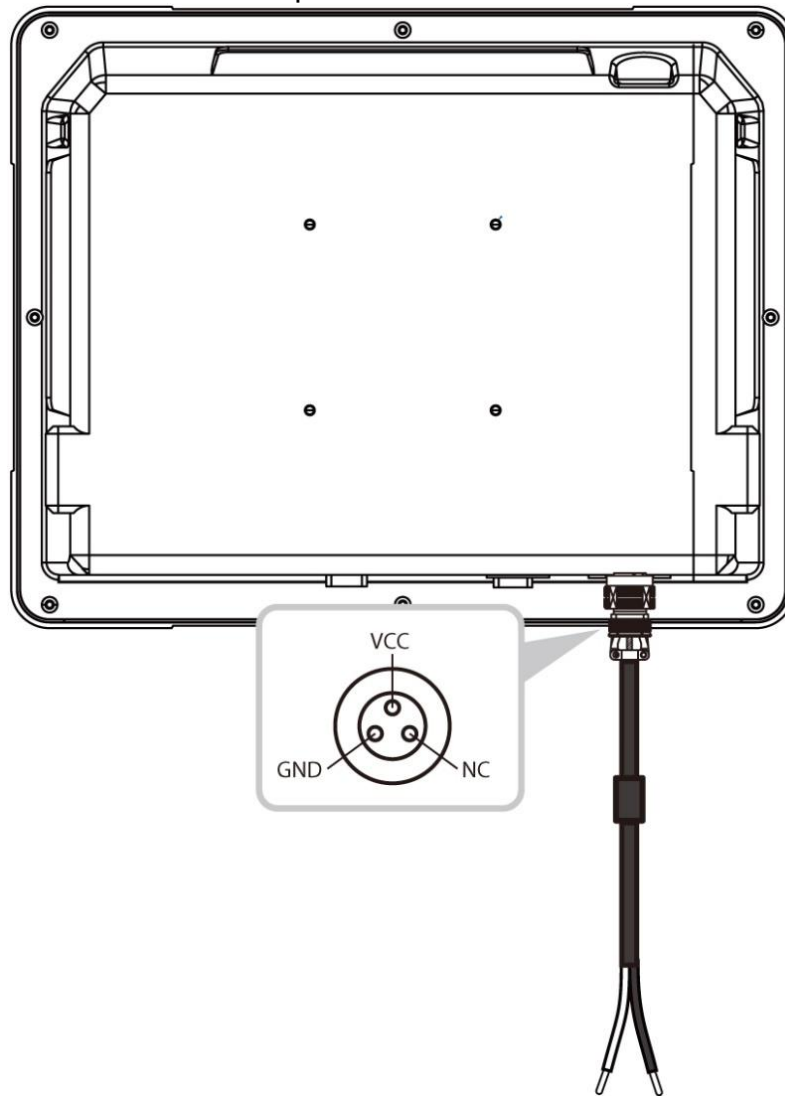
2.2 Connecting the Power

Safety Precautions:

- Do not use the adapter in a high moisture environment.
- Never touch the adapter with wet hands or foot.
- Allow adequate ventilation around adapter while using.
- Do not cover the adapter with paper or other objects that will reduce cooling.
- Do not use the adapter while it is inside a carrying case.
- Do not use the adapter if the cord is damaged.
- There are NO serviceable parts inside.
- Replace the unit if it is damaged or exposed to excess moisture.

Connecting to Power Source

1. Connect a power cable to military power connector located on the back side of the display.
2. Connect open wires to the source of power.



2.3 Mounting Guide

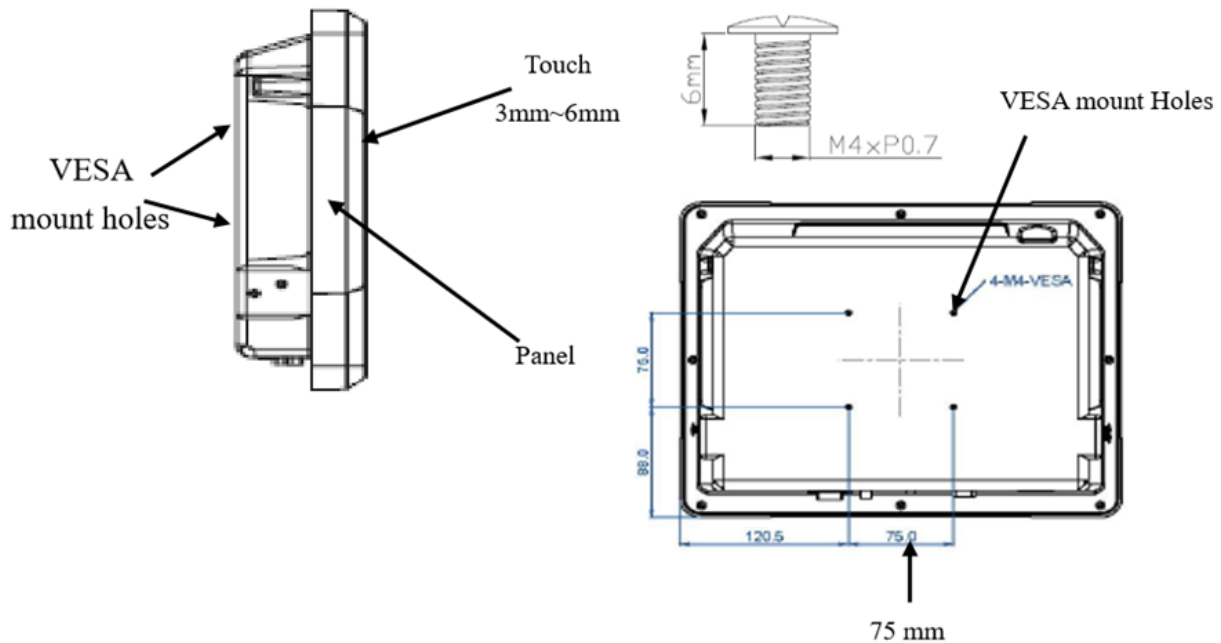
The device comes with different mounting options suitable for most of the industrial and commercial applications. There are two main mounting approaches - Dash/ Yoke Mount and VESA mount; both approaches are very easy for user to set up the display.

2.3.1 VESA Mount

G-WIN Military Display compatible with VESA mount solution. Follow the instruction below to complete mounting.

Size	VESA Plate Dimensions	Screw hole diameter
8.4", 10.4"	75 x 75 mm	VESA M4x6 mm

VESA Plate Installation

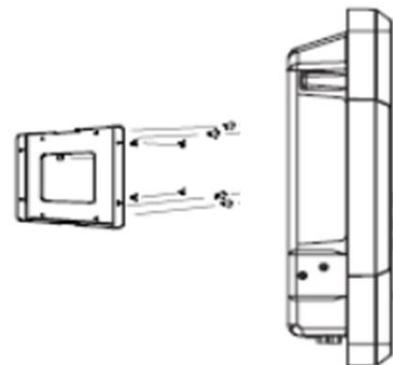


Wall Mount

**with customer's bracket*

Mounting Steps:

1. Screw VESA Bracket to the fixture (ex. wall) with M4 flathead screws.
2. Place the device on VESA bracket.
3. Carefully mount the device to the fixture (for ex. wall).
4. When the installation is complete, plug the power cord into a grounded AC outlet. Turn on the power.

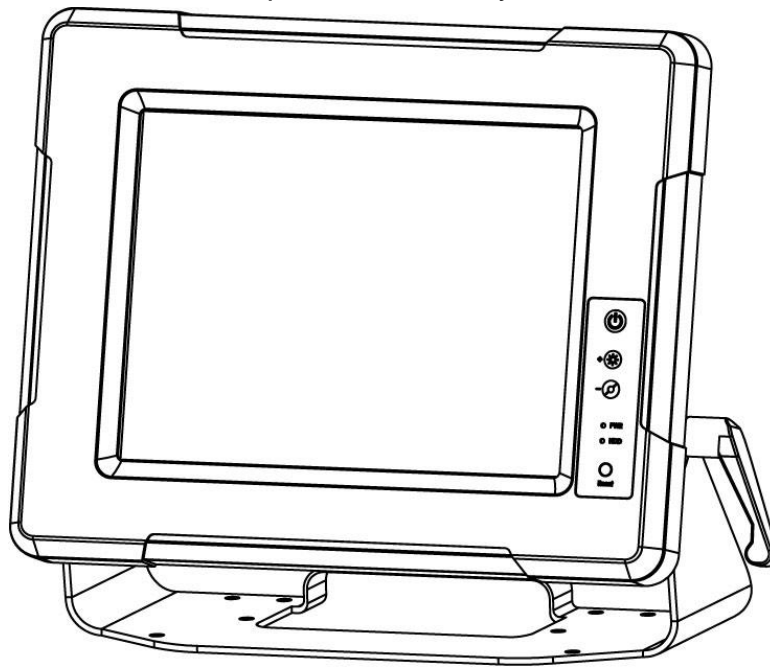


Note:

Both hooks on bracket should lock the notches on the back cover of the device.

2.3.2 Yoke Mount

Yoke Mount solution allows to mount your device on a wall or ceiling. You can purchase dash/ yoke mounting kit from Winmate as an optional accessory.

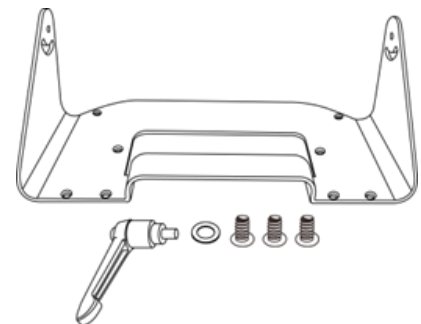


Yoke Mounting Kit:

Size	Winmate Part Number
8.4"	99KK08Z00010
10.4"	99KK00Z00010

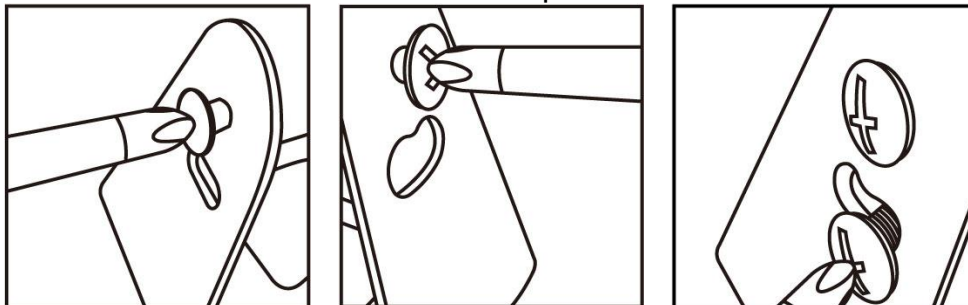
Yoke Mount Kit includes:

- One bracket stand
- Three M5 x10 screws with washer
- One locking handle adjustment tool with metal washer

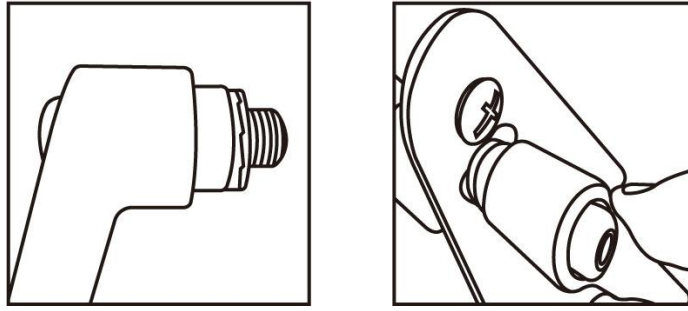


Mounting steps:

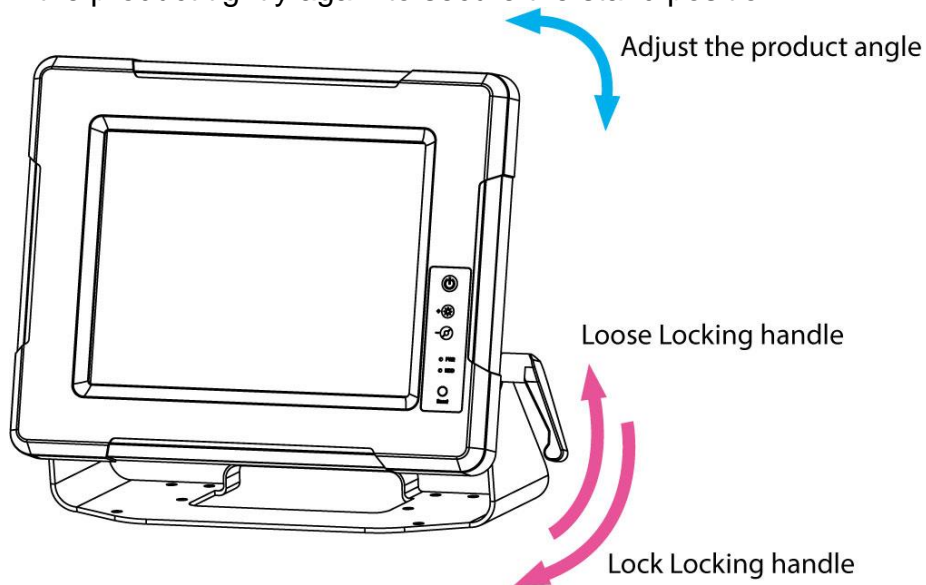
1. Place the G-WIN Military Display on the bracket stand, aiming screw hole for each other.
2. Secure three M5x10 screws to fix the device upon the bracket stand.



3. Secure tightly locking handle to the display.



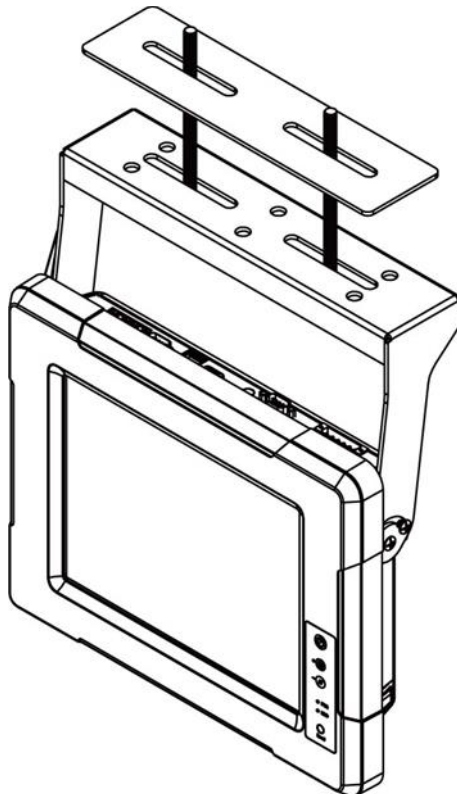
- Loosen the hand-screw adjustment tool, then you can adjust product angle on the stand. Then screw the product tightly again to secure the stand position.



2.3.3 Roof Mount

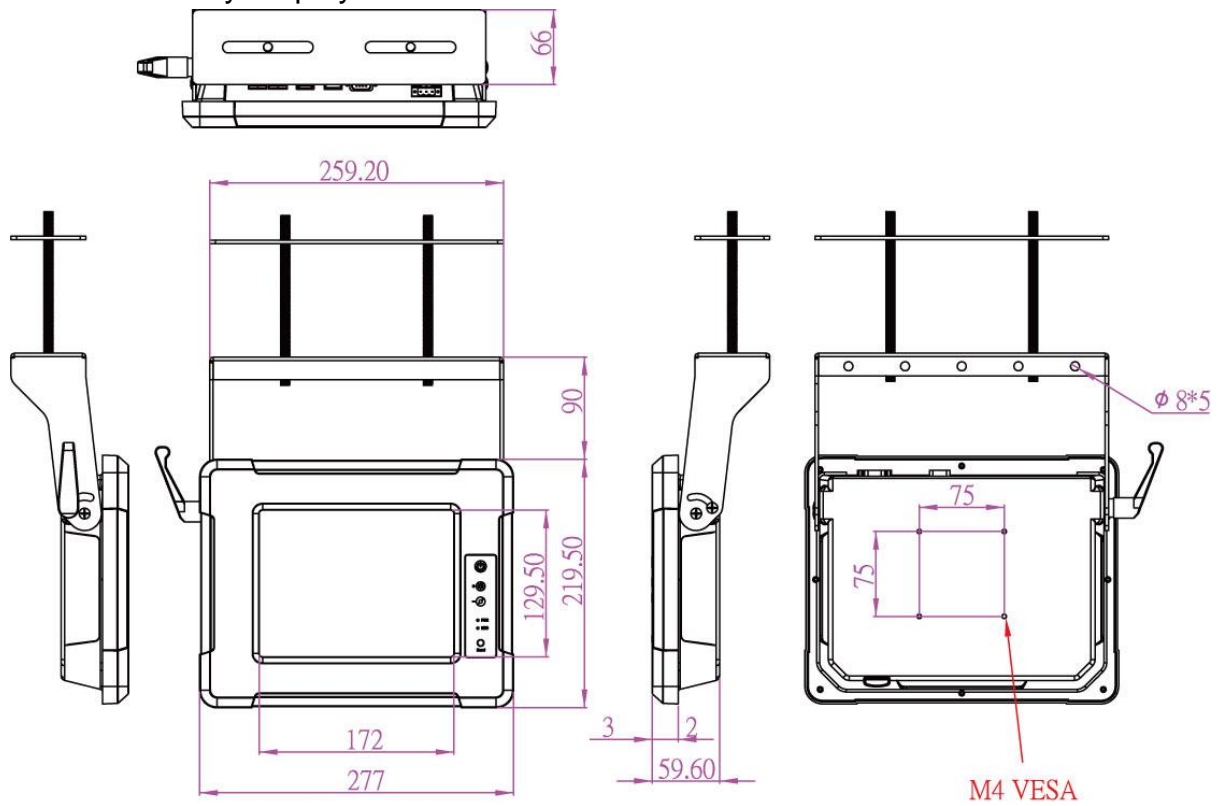
Roof mounting allows mounting your device on the roof. You can purchase roof mounting kit from Winmate as an optional accessory.

U-Shape Mounting Kit:

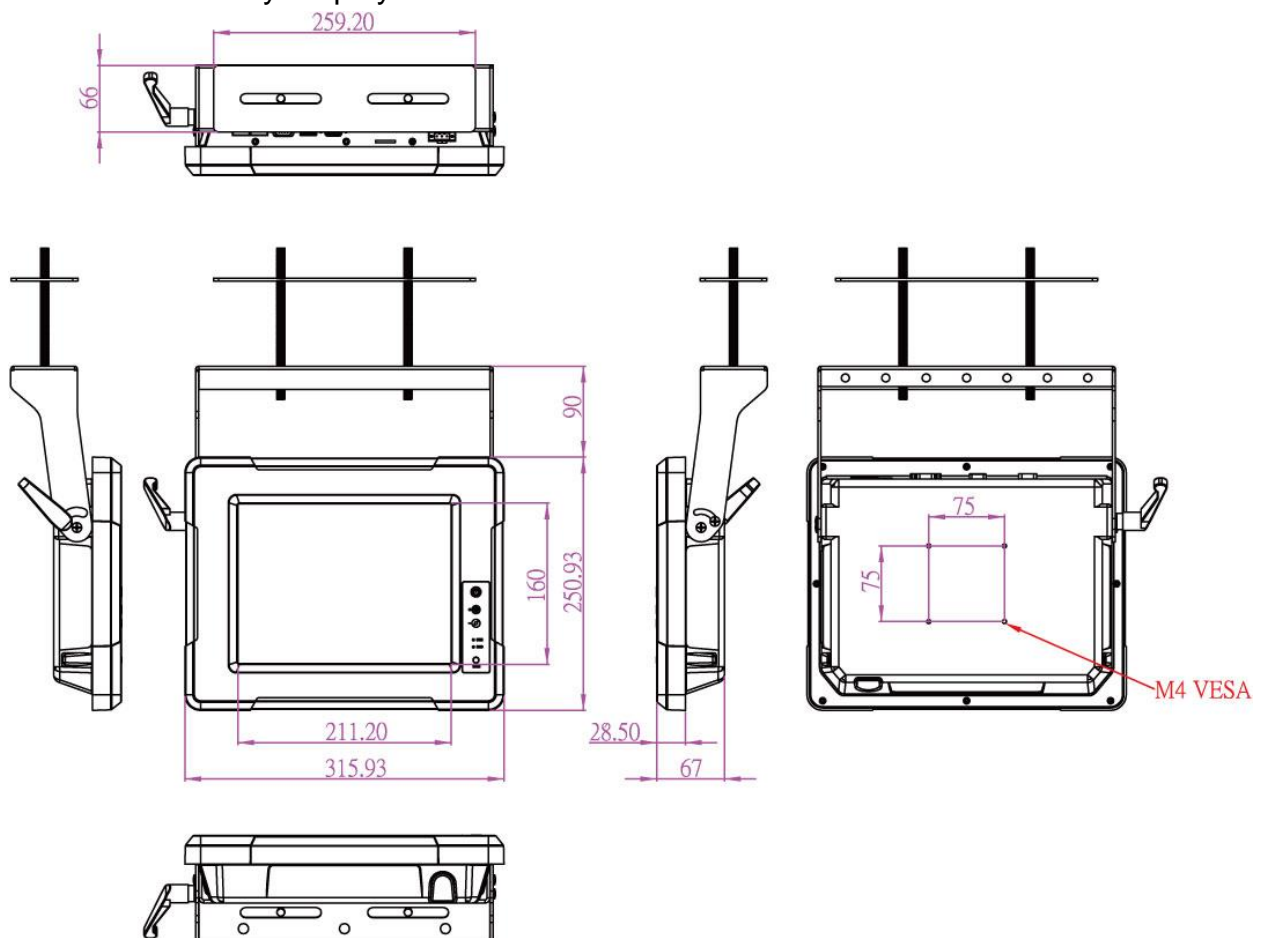


U-Shape Mounting Kit Mechanical Drawing

For 8.4" G-WIN Military Display:



For 10.4" G-WIN Military Display:



2.4 Connecting Peripherals

This Display comes with VGA interface located on the bottom panel. For a nice look and safe installation, make sure cables are neatly hidden behind the device.



Caution/ Attention

Observe all local installation requirements for connection cable type and protection level.

Suivre tous les règlements locaux d'installations, de câblage et niveaux de protection.



Caution/ Attention

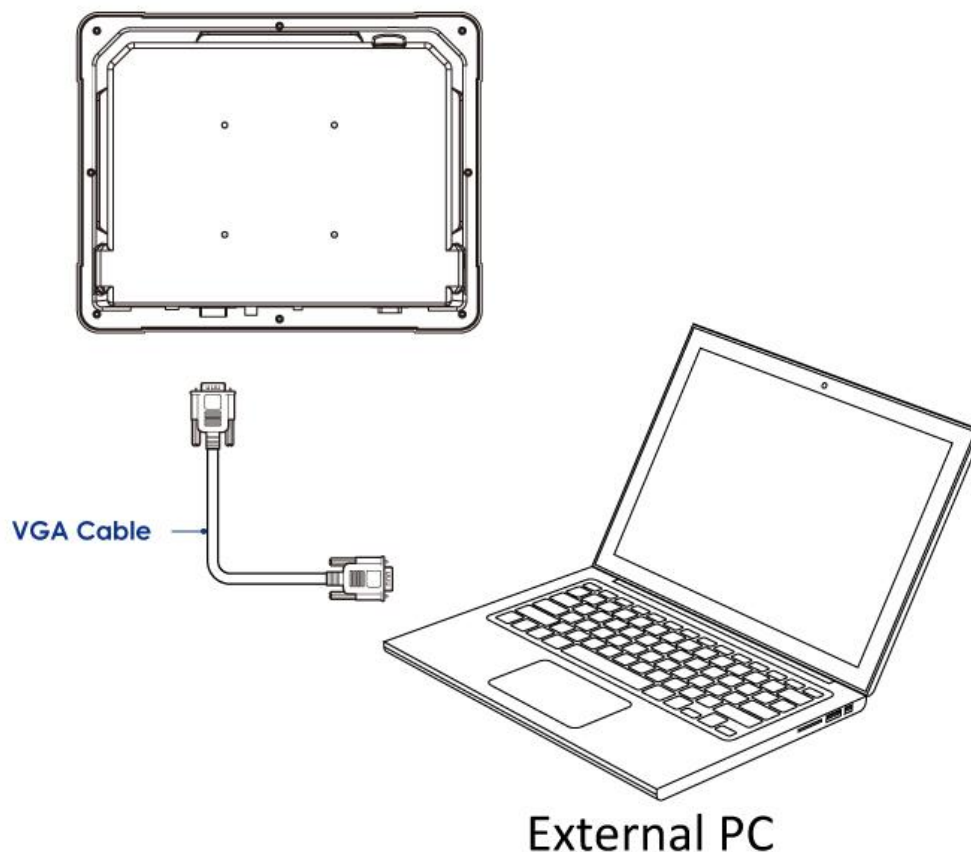
Turn off the device and disconnect other peripherals before installation.

Éteindre l'appareil et débrancher tous les périphériques avant l'installation.

To display video and sound from an external PC follow the instructions below.

1. Turn off your computer and unplug external computer's power cable.
2. Connect a VGA cable from your external PC to the VGA port on the display.
3. Connect the power cable to the display and the other side to power adapter.
4. Plug the power adapter into an electrical outlet.
5. Turn on external computer and display.

G-WIN Military Display



Note:

For the optimal results, select display native resolution as the external computer's input resolution.

2.5 Connector Description

The panel control port is designed for monitors that work with a variety of compatible video sources. Due to the possible deviations between these signal sources, you may have to make adjustments to the monitor settings from the OSD menu when switching between these sources.



Note:

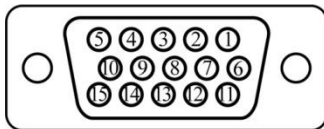
Notice that standard input terminals include VGA.

Your device may be equipped with S-Video or Composite input terminals based on your order.

2.5.1 VGA Connector

G-WIN Military Display uses standard 15pin D-sub connector. Plug 15-pin VGA signal cable to the VGA connector in the rear of motherboard, and plug the other end to the monitor. Secure cable connectors with hexagonal copper pillars M3x4mm.

Pin Assignment and signal names for VGA connector

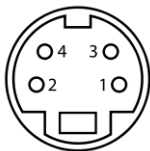


Pin №	Signal Name	Pin №	Signal Name
1	RED	2	GREEN
3	BLUE	4	NC
5	GND	6	AGND
7	AGND	8	AGND
9	VGA_5V	10	GND
11	NC	12	DDCSDA
13	H Sync	14	V Sync
15	DDCSCL		

2.5.2 S-Video Connector

Use Mini-DIN connector to connect S-Video to the display.

Pin Assignment and signal names for S-Video connector

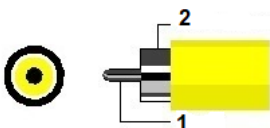


Pin №	Signal Name	Pin №	Signal Name
1	GND	2	GND
3	Y	4	C

2.5.3 Composite Connector

Use composite video cable to connect composite video input.

Pin Assignment and signal names for S-Video connector



Pin №	Signal Name	Pin №	Signal Name
1	Composite Video Signal	2	GND

Chapter 3: Operating the Device

In this chapter you will find instructions on how to operate the display.



3.1 Turning On/ Off the System

To turn on the system:

1. Connect VGA cable to the connector of your device.
2. Connect the other side of VGA cable to external computer.
3. Turn on the external computer.
4. The device will boot automatically when powered on.

To turn on the system:

1. Disconnect the Display from external computer to completely turn off the device.



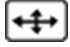


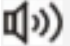

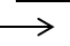

3.2 Troubleshooting Guide

If your monitor fails to operate correctly, check the following chart for possible solution before calling for repairs:

Condition	Check Point
The picture does not appear	<ul style="list-style-type: none"> • Check if the signal cable is firmly seated in the socket. • Check if the Power is ON at the computer • Check if the brightness control is at the appropriate position, not at the minimum.
The screen is not synchronized	<ul style="list-style-type: none"> • Check if the signal cable is firmly seated in the socket. • Check if the output level matches the input level of your computer. • Make sure the signal timings of the computer system are within the specification of the monitor.
The position of the screen is not in the center	<ul style="list-style-type: none"> • Adjust the H-position, and V-position, or Perform the Auto adjustment.
The screen is too bright (too dark)	<ul style="list-style-type: none"> • Check if the brightness or contrast control is at the appropriate position, not at the Maximum (Minimum).
The screen is shaking or waving	<ul style="list-style-type: none"> • Perform the Auto adjustment. • Moving all objects which emit a magnetic field such as motor or transformer, away from the monitor. • Check if the specific voltage is applied. • Check if the signal timing of the computer system is within the specification of monitor.

**If you are unable to correct the fault by using this chart, stop using your monitor and contact your distributor or dealer for further assistance*

3.3 On-Screen Display Menu Navigation

OSD Icon	Sub-menu	Settings	Note
 BRICONTRAST	BRIGHTNESS	slider bar	Default 50
	Use to adjust the screen's brightness. Range 0 to 100.		
	CONTRAST	slider bar	Default 50
Use to adjust the screen's contrast. Range 0 to 100.			
 POSITION	H POSITION	slider bar	VGA only.
	Use to adjust the image to the left or right on the screen. Range 0 to 100.		
	V POSITION	slider bar	
Use to adjust the image up or down on the screen. Range 0 to 100.			
 IMAGE	AUTO	Select and execute	VGA only.
	Use to choose the best settings for the current input signal.		
	CLOCK	slider bar	VGA only.
	Use to adjust the value of horizontal image. Range 0 to 100..		
	PHASE	slider bar	VGA only.
	Use to adjust the phase control (May be required to optimize the display quality).		
WHITE BALANCE	Select and execute		
Use to set RGB signal voltage level.			
 COLOR	USER	R.G.B slider bar	
	Choose RED/GREEN/BLUE to set value of color temperature brightness.		
	9300K	Select and execute	
	Use to set value of monitor for the CIE coordinate 9300 color temperature.		
	6500K	Select and execute	
	Use to set value of monitor for the CIE coordinate 6500 color temp.		
	ADC Brightness	slider bar	
Adjusts the Auto Display Control (ADC) brightness. Range 0 to 100.			
 GAMMA	GAMMA 0	Select and execute	Default GAMMA0
	Choose the parameter of GAMMA 0 as default setting.		
	GAMMA 1	Select and execute	
	Choose the parameter of GAMMA 1 as default setting.		
	GAMMA 2	Select and execute	
Choose the parameter of GAMMA 2 as default setting.			
 AUDIO	VOLUME ADJUST	Select and execute	Optional item
	Use to adjust the volume of speaker. Range 0~31.		
	SPEAKER ON/OFF	Select and execute	Optional item
Use to make the speaker work or mute.			
 CHANNEL	ANALOG	Select and execute	Default
	Use to change the input signal to Analog mode.		
	CVBS	Select and execute	Optional item
	Use to change the input signal to Composite mode.		
S-VIDEO	Select and execute	Optional item	
Use to change the input signal to S-Video mode.			
 RECALL	YES	Select and execute	
	Recall the factory default setting		
	NO	Select and execute	
Return to main menu			
 EXIT	YES	Select and execute	
	Exit the OSD menu		
	NO	Select and execute	
Return to main menu			

Appendix

This chapter contains additional product information, including troubleshooting guide and frequency table



Appendix A: Hardware Specifications

	R08L100-MLU1	R10L100-MLT2	R10L100-MLP1
Display			
Size/ Type	8.4"	10.4"	10.4"
Resolution	800 x 600	1024 x 768	800 x 600
Brightness	600 nits	350 nits	400 nits
Contrast Ratio	600:1 (typ.)	1200:1 (typ.)	500:1 (typ.)
Viewing Angle	-75~75 (H); -70~60 (V)	-88~88(H);-88~88(V)	-70~70(H);-55~65(V)
Max Colors	16.2M	16.2M	16.2M
Touch	5 Wire Resistive	5 Wire Resistive	5 Wire Resistive
Touch Interface	RS-232 (Optional)	RS-232 (Optional)	RS-232 (Optional)
Input / Output Connectors			
Power	1 x Military Grade Lockable (MS27467T9F98S)Connector	1 x Military Grade Lockable (MS27467T9F98S)Connector	1 x Military Grade Lockable (MS27467T9F98S)Connector
Video Input	1 x VGA (DB-15) 1 x S-Video (Optional) 1 x Composite (Optional)	1 x VGA (DB-15) 1 x S-Video (Optional) 1 x Composite (Optional)	1 x VGA (DB-15) 1 x S-Video (Optional) 1 x Composite (Optional)
Touch	RS-232 (Optional)	RS-232 (Optional)	RS-232 (Optional)
Power Specifications			
Power Input	12V DC/ 9-36V (Optional)	12V DC/ 9-36V (Optional)	12V DC/ 9-36V (Optional)
Power Consumption	15W typ.	22W typ.	24W typ.
Mechanical Specifications			
Dimensions	277 x 219.5 x 59.7 mm	315 x 250 x 67mm	398 x 308 x 58 mm
Mounting	VESA 75x75	VESA 75x75	VESA 75x75
Physical Buttons	Enter/ Menu, Esc/ Auto, Power On/ Off, Brightness Up, Brightness Down	Enter/ Menu, Esc/ Auto, Power On/ Off, Brightness Up, Brightness Down	Enter/ Menu, Esc/ Auto, Power On/ Off, Brightness Up, Brightness Down
LED Indicators	Power , HDD	Power , HDD	Power , HDD
Environment Considerations			
Operating Temp.	-20°C to 70°C	-20°C to 70°C	-10°C to 60°C, wide temp. by request
Operating Humidity	10% to 95% (non-condensing)	10% to 95% (non-condensing)	10% to 95% (non-condensing)
Shock	Operating:30g for 18ms, 300m/s ²	Operating:30g for 18ms, 300m/s ²	Operating:30g for 18ms, 300m/s ²
Vibration	Operating: 1.60/1.96/2.18 g rms for XYZ / 5-500 Hz	Operating: 1.60/1.96/2.18 g rms for XYZ / 5-500 Hz	Operating: 1.60/1.96/2.18 g rms for XYZ / 5-500 Hz
Certification			
Safety	CE, FCC	CE, FCC	CE, FCC

Appendix B: Frequency Table

The choice of supported modes depends on the monitor native resolution. Refer to the table below for more information about available input signals.

Signal name	Frequency (Hz)
800x600	50/ 60/ 72/ 75
1024x768	60/ 70/ 75

Appendix D: Cleaning the Monitor

Before cleaning:

- Make sure the device is turned off.
- Disconnect the power cable from any AC outlet.

When cleaning:

- Never spray or pour any liquid directly on the screen or case.
- Wipe the screen with a clean, soft, lint-free cloth. This removes dust and other particles.
- The display area is highly prone to scratching. Do not use ketene type material (ex. Acetone), Ethyl alcohol, toluene, ethyl acid or Methyl chloride to clear the panel. It may permanently damage the panel and void the warranty.
- If it is still not clean enough, apply a small amount of non-ammonia, non-alcohol based glass cleaner onto a clean, soft, lint-free cloth, and wipe the screen.
- Don not use water or oil directly on the display screen. If droplets are allowed to drop on the screen, permanent staining or discoloration may occur.

Winmate Inc.
9F, No.111-6, Shing-De Rd., San-Chung District,
New Taipei City 24158, Taiwan, R.O.C
www.winmate.com