

# AFL3-W19C-ADLP

## IEI Light Industrial Panel PC

Powered by Intel® Alder Lake-P

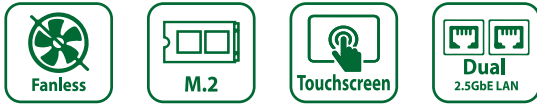


[www.ieiworld.com](http://www.ieiworld.com)



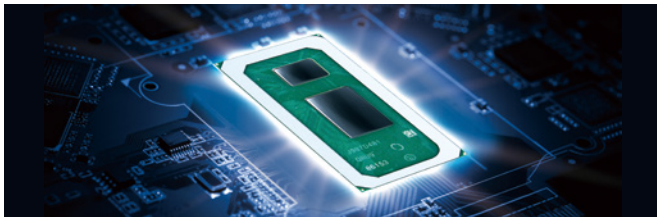
# AFL3-W19C-ADLP

Fanless, high-performance Panel PC, supporting 12th Gen Intel® Core™ i7/i5/i3 processors, 8GB DDR4 memory, HDMI output, dual 2.5GbE LANs, IPMI remote management, three M.2 expansion slots, and an anti-glare, UV-resistant, 10-point capacitive touchscreen that is RoHS-compliant



## 12th Gen Intel® Core™ Mobile Processors

The 12th Generation Intel® Core™ mobile processors feature a new Performance Hybrid Architecture that delivers superior performance and rich scaling for a superior experience.



## Support 4K UHD Display Output

10th generation Intel® Ultra HD graphics engine allows the system to display video and images in stunning 4K resolution over HDMI 1.4b



## Anti-glare and Anti-UV PCAP

With anti-glare and anti-UV coating, the 10-point touchscreen can display clearly without reflection for a long time use in outdoors and bright light environment.



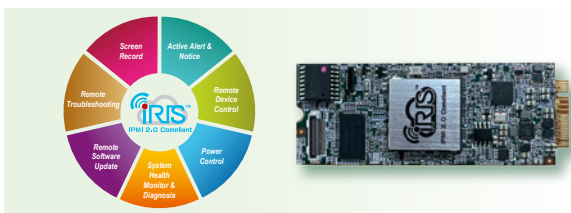
## Support Wi-Fi 6E and Bluetooth 5.2

Strong Wi-Fi 6E wireless network capability provides more bandwidth, and the low latency Bluetooth 5.2 connection is more stable and consumes less power.



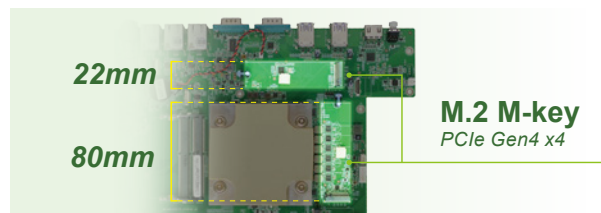
## IPMI 2.0 Remote Management

By combining with IEI's iRIS expansion card, remote management over the network can be achieved, such as OS installation/restoration, power on/off, and much more.

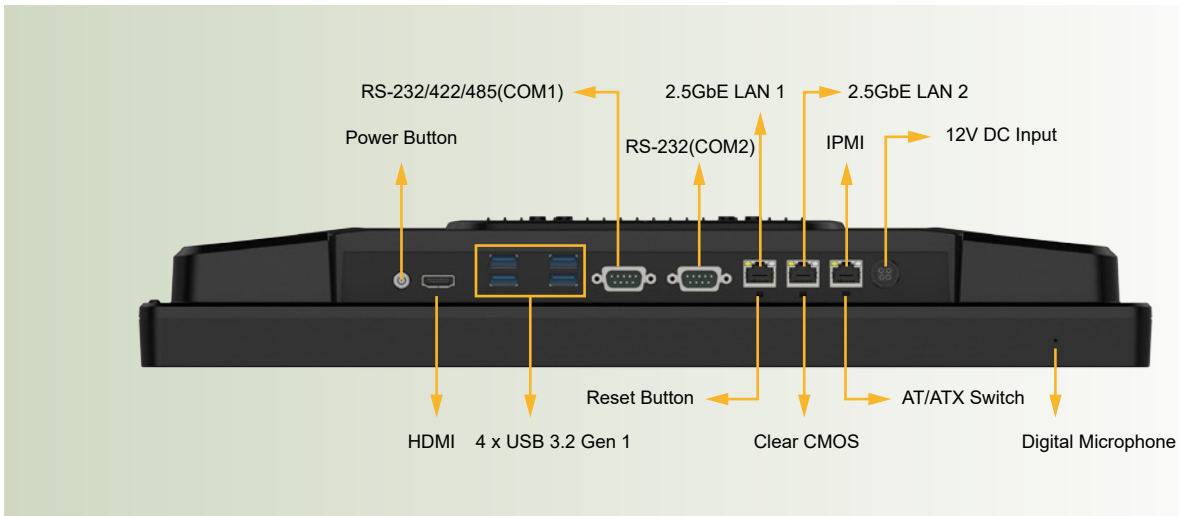


## Dual Full-Speed M.2 Expansion Slots

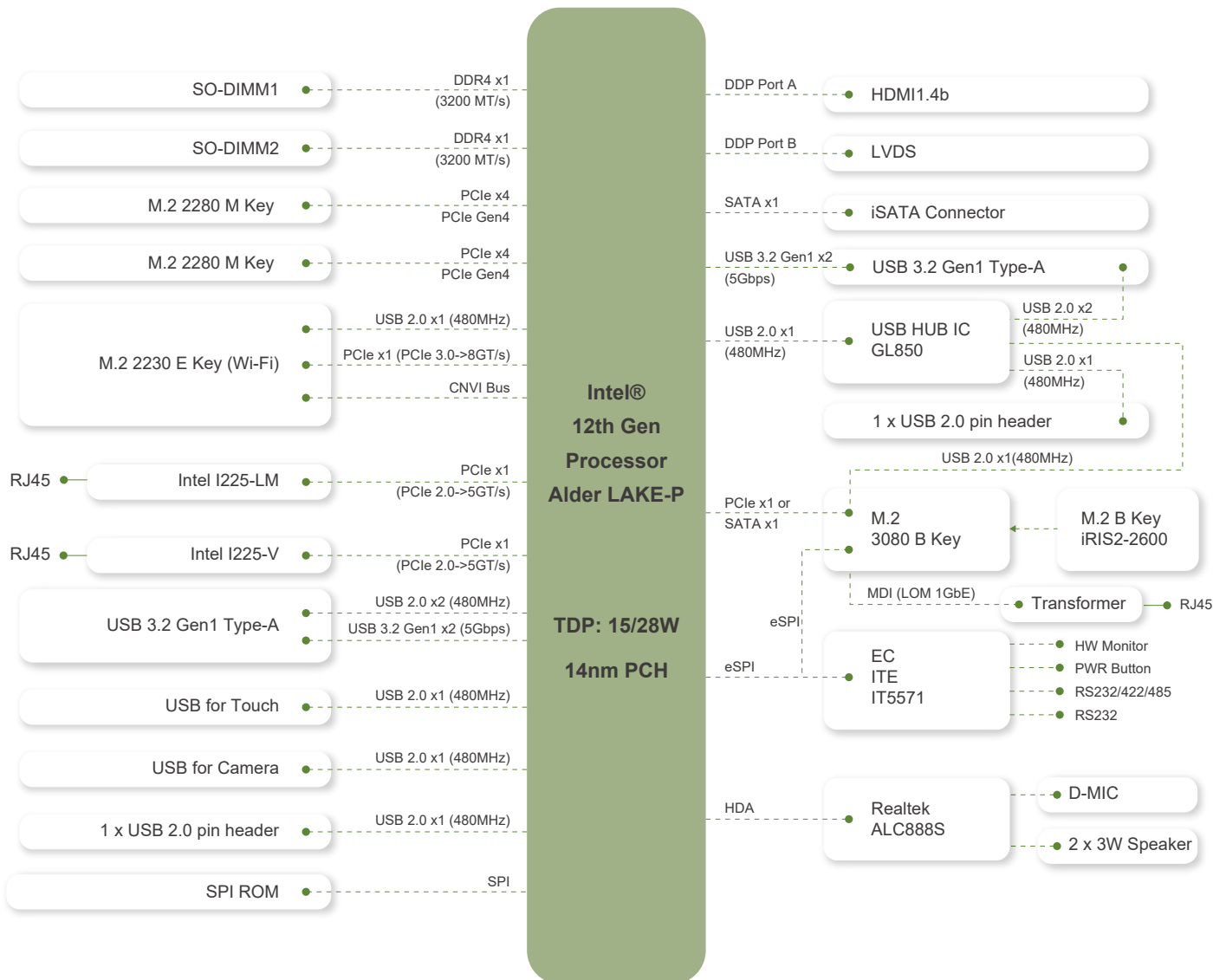
Two M.2 M-key slots accept 2280 sizes of M.2 modules, and supports PCIe Gen4 x4 full-speed signal for more bandwidth and faster speed.



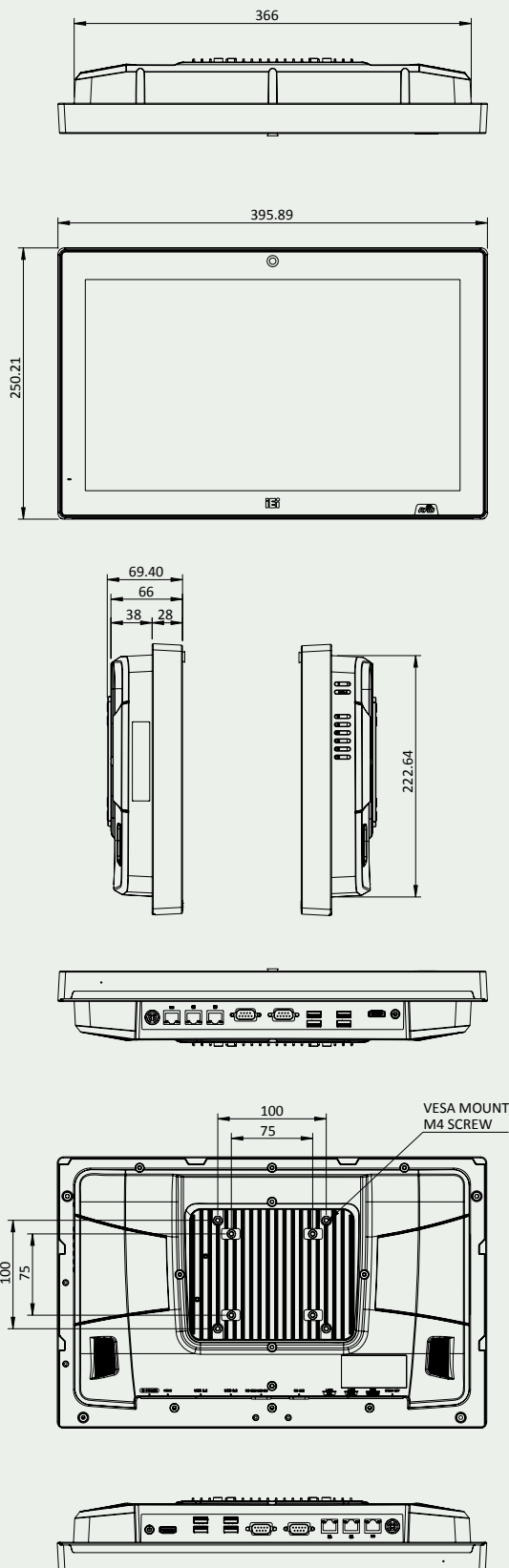
## Fully Integrated I/O



## Block Diagram



## Dimensions (Unit: mm)



## Specifications

Model		AFL3-W19C-ADLP	
LCD	Size	18.5"	
	Resolution	1920 x 1080 (16:10)	
	Brightness (cd/m <sup>2</sup> )	350	
	Contrast Ratio	1200	
	Viewing Angle (H-V)	170/170	
	Backlight MTBF	50000	
Touch	Touch Screen	PCAP with USB interface (anti-UV/AG coating)	
	Touch Controller	EXC3160	
Mainboard	SOC	12th Gen Intel® Core™ Mobile i7/i5/i3 Processors (Alder Lake-P)	
	RAM	Two 260-pin 3200 MHz dual-channel DDR4 SO-DIMM (8GB pre-installed) (max. 32GB)	
	Ethernet	LAN1: Intel® I225 LM (support Intel AMT) + LAN2: Intel® I225V	
	Audio Codec	ALC888S	
	Storage	1 x 2.5" SATA 6Gb/s HDD bay	
	Expansion	2 x M.2 2280 M-key (PCIe x4)	
		1 x M.2 3080 B-key (PCIe x1 or SATA) support IPMI function	
	I/O Ports & Switch	1 x RS-232 by DB9	1 x HDMI output
		1 x RS-232/422/485 w/ AFC by DB9	1 x 12V DC jack
		2 x 2.5GbE LAN	1 x Power button
1 x RJ45 for IPMI		1 x Reset button	
4 x USB 3.2 Gen1	1 x Clear CMOS button	1 x AT/ATX switch	
Audio	AMP 3W + 3W (internal speaker)		
Camera / Microphone	2-megapixel with low light function, digital microphone		
Wireless & Bluetooth	IEEE 802.11ax 2T2R module (Wi-Fi 6E) with BT v5.2 (M.2 2230 E-key)		
Physical	Construction Front Panel	PC + ABS Plastic	
	Mounting	Panel, Wall, Stand and Arm VESA 75 /100mm	
	Color	Black C	
Environment	Operating Temperature (°C) (Ambient with air flow)	0 ~ 50	
	Storage Temperature (°C)	-20 ~ 60	
	Humidity	10 ~ 90RH@40°C (non-condensing)	
	IP Level	IP 64 compliant front panel	
	Safety & EMC	CE, FCC (Class A), UKCA	
	Thermal	Fanless	
Power	Power Requirement	12V DC	
ErP	ErP 2009/125/EC		
Supported OS	Microsoft Windows® 10/11 IoT, Linux		

## Packing List

1 x Power cord	1 x Screw pack
1 x Power adapter	1 x QIG

## Ordering Information

Part No.	Description
AFL3-W19C-ADLP-i3/8G-R10	Wide 18.5" 350cd/m <sup>2</sup> 1920x1080 Panel PC with 12th Generation Intel® Core™ i3-1220P on-board processor, PCAP touch, 2M camera, microphone, 1x8GB DDR4 RAM, with AG, RoHS
AFL3-W19C-ADLP-i5/8G-R10	Wide 18.5" 350cd/m <sup>2</sup> 1920x1080 Panel PC with 12th Generation Intel® Core™ i5-1240P on-board processor, PCAP touch, 2M camera, microphone, 1x8GB DDR4 RAM, with AG, RoHS
AFL3-W19C-ADLP-i7/8G-R10	Wide 18.5" 350cd/m <sup>2</sup> 1920x1080 Panel PC with 12th Generation Intel® Core™ i7-1260P on-board processor, PCAP touch, 2M camera, microphone, 1x8GB DDR4 RAM, with AG, RoHS

## Options

Item	Part No
Panel mounting Kit	AFL3PK-W19C-R10
Wall mounting Kit	AFLWK-19B
Arm	ARM-11-RS
Stand	STAND-A21-R10/ STAND-210-R11/STAND-C19-R10
IPMI card	iRIS2-2620-R10
Barcode scanner	AFL3-2D-R11