

# R15L600-65A1FTP

## 15" IP65 Stainless PCAP Chassis Display



### KEY FEATURES

- IP65 compliant
- Robust and fanless design for reliable operation
- Fanless Cooling System and Ultra Low power consumption
- SUS 316/ AISI 316 stainless steel for food and chemical industries
- Special Flat Touch Design easy to maintain
- Projective Capacitive Touch
- Optical bonding (optional)



### SPECIFICATIONS

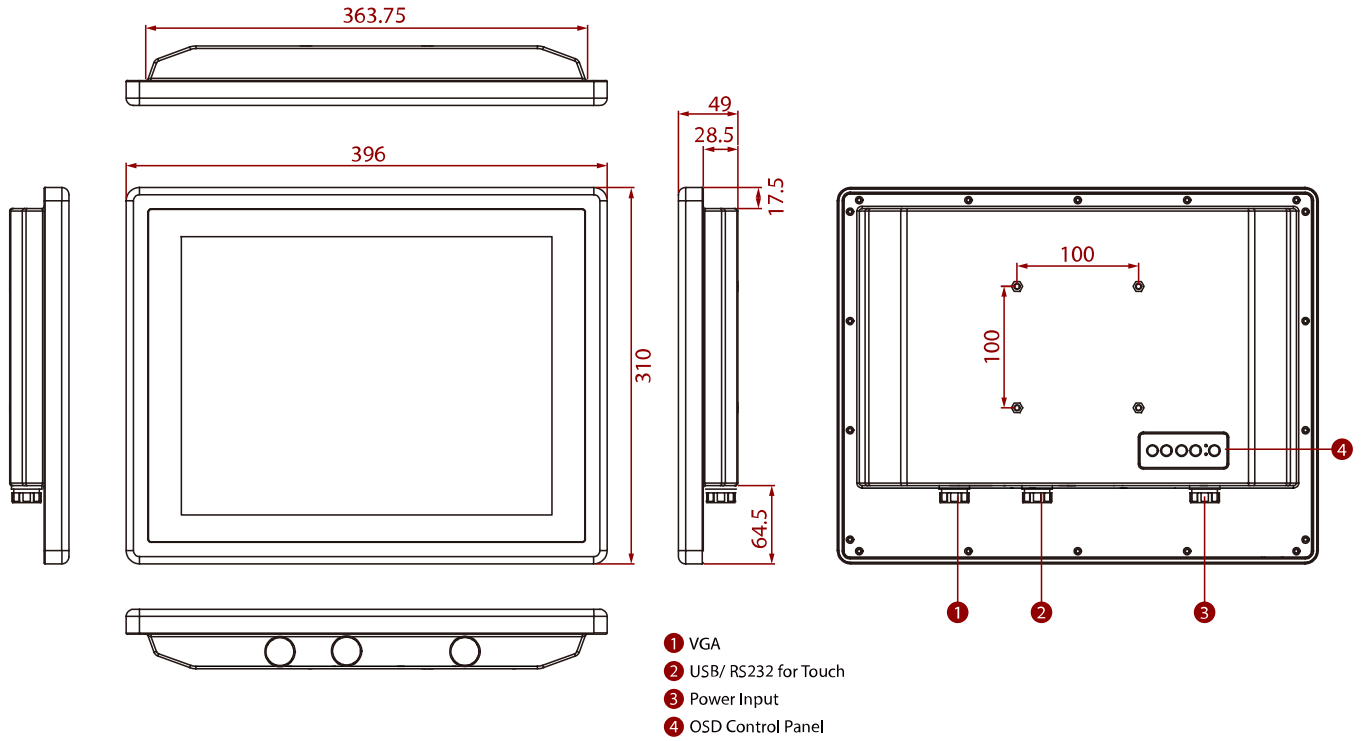
Display	
<b>Resolution</b>	1024x768
<b>Contrast Ratio</b>	2500:1
<b>Display Color</b>	16.7M Colors
<b>Active Area</b>	304.1x228.1 mm
<b>Size</b>	15.0 inches
<b>Panel Brightness</b>	500.0 nits
<b>View Angles</b>	88,88,88,88
<b>Touch / Glass</b>	Projected Capacitive Multi Touch Screen
Mechanical	
<b>Dimension</b>	396 x 310 x 49 mm
<b>Mounting</b>	VESA Mount
<b>Cooling System</b>	Fanless design
<b>Weight</b>	5.7 kg
<b>Enclosure</b>	Stainless Housing
Environment	
<b>Operating Humidity</b>	10% to 90% RH, Non-Condensing
<b>Storage Temperature</b>	-20°C to 60°C
<b>Operating Temperature</b>	0°C to 45°C
<b>IP rating</b>	IP65
Certification	
<b>Certification</b>	CE, FCC
IO Ports	
<b>Power Input</b>	1 x M12 waterproof connector for 12V DC
<b>Serial Port</b>	1 x M12 type connector for RS232 remote control (Optional)
<b>Indicator</b>	1 x LED Indicator for power 1 x LED Indicator for status
<b>USB Port</b>	1x M12 waterproof connector for touch screen control
<b>Video</b>	1x M12 type connector for VGA input
Control	
<b>Button</b>	1 x Power Button 1 x Adjust up button 1 x Adjust down button 1 x ESC (Auto) button 1 x OK (Menu) button
Accessory	
<b>Accessory</b>	External VGA cable with waterproof connector Waterproof caps VESA screws 100~240V AC to DC Adapter with waterproof
<b>Optional Accessory</b>	External COM cable with waterproof connector for remote control (Optional)

connector  
Power Cord

## Power

Power Rating 12V DC (M12 type)

## DIMENSIONS UNIT:MM



## NOTE

1. This is a simplified drawing and some components are not marked in detail.
2. Please contact our sales representative if you need further product information.
3. All specifications are subject to change without prior notice.
4. The product shown in this datasheet is a standard model. For diagrams that contain customized or optional I/O, please contact the Winmate Sales Team for more information.