

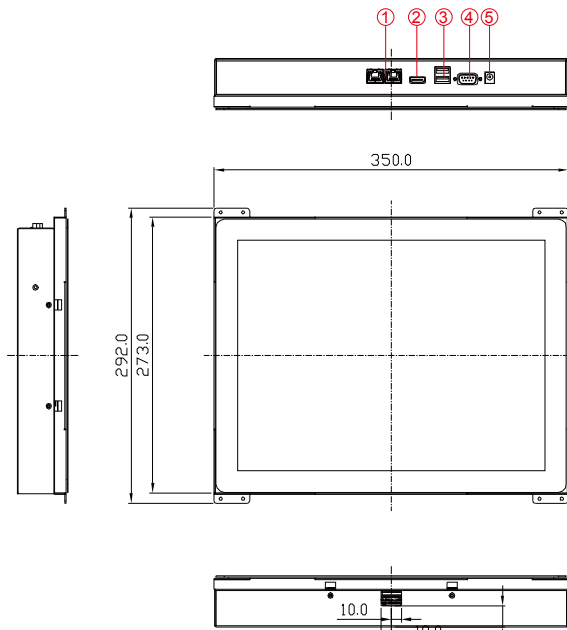
# R15IB3S-POC3 15" P-CAP Open Frame Panel PC (Intel® Celeron® Bay Trail-M N2930, 1.83GHz)

## Mechanical Design

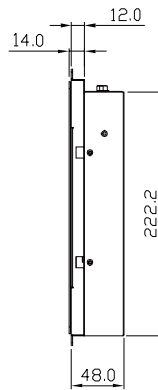
- 15" 1024 x 768, 250 nits, 700: 1
- Intel® Celeron® Bay Trail-M N2930 1.83 GHz
- Slim-line design in open-frame housing
- Multi Touch P-Cap flat design
- Windows 7/8.1 industry pro/ 10 IoT Enterprise system
- 12V DC IN with power jack
- Suitable for KIOSK applications
- Housing opening for speaker installation



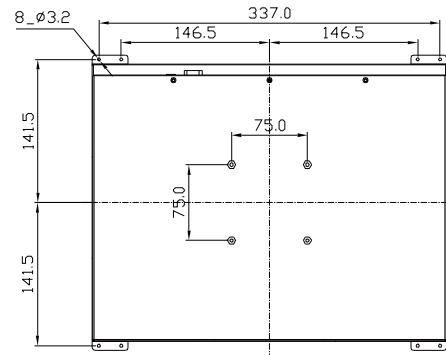
FRONT VIEW



SIDE VIEW



BACK VIEW



1. 2 x LAN
2. HDMI
3. 1, USB3.0, 1 x USB2.0
4. RS232/422/485
5. 12V DC-in

\* Measurements shown in mm

BOTTOM VIEW

## Specifications

### System

- CPU : Intel® Celeron® Bay Trail-M N2930, 1.83 GHz
- System Chipset : Intel® Atom™ SoC Integrated
- System Memory : SODIMM DDR3L 1600, max. 8GB
- Storage : mSATA SSD 64GB (Default), Max. 512GB
- LAN : Intel I210-AT GbE LAN x 2

### Panel Spec

- Size/Type : 15" TFT
- Resolutions : 1024x768
- Brightness : 250 nits (typ.)
- Contrast Ratio : 700:1 (typ.)
- Viewing Angle : -80~80(H); -70~70(V)
- Max. Colors : 16.7M (8bits)

### Input / Output

- Serial Ports : 1 x RS232/422/485\*
- USB Ports : 1 x USB 3.0, 1 x USB 2.0
- Ethernet : 2 x RJ45-10/100/1000 Mbps
- HDMI : 1 x HDMI
- Power : 1 x DC-in Power Jack(+12V)

\*Default setting:RS232

### Accessories

- External Adapter : 110~240V AC Power Adapter

### Environment Considerations

- Operating Temperature : 0° C to +50° C
- Operating Humidity : 10% to 90% (non-condensing)

### Power Specifications

- Power input : 12V DC
- Power Consumption : 30W (typ.)(Max.backlight & high CPU load)

### Expansion Slot

- 2 x Mini PCIe (1 for SSD, 1 for wifi/3G module)

### Order Options

- RAM : SODIMM DDR3L 1600, max. 8GB
- Storage : 2.5" HDD/ SSD
- OS : Windows 10 IoT Enterprise  
Windows 8.1 industry pro  
Windows 7 Embedded (Optional)