

# NP-6132-8POE

- Desktop High Performance CPU
- 8 x PoE

## ■ Features

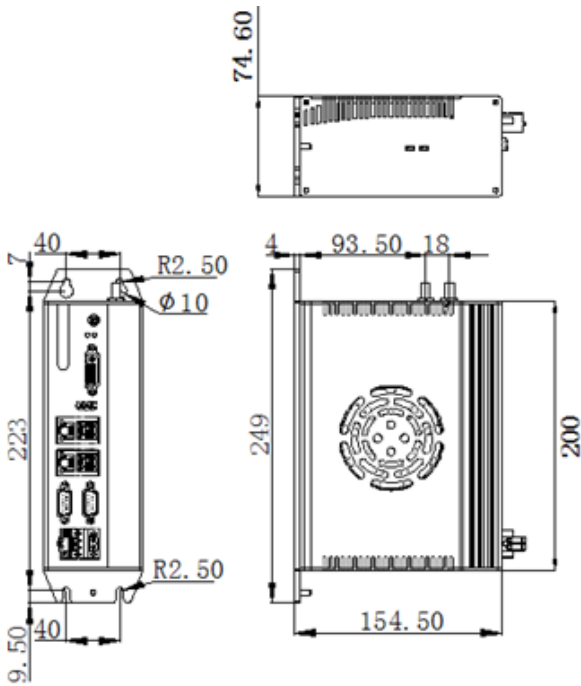
- Support Intel® Core™ 10th/11th generation i9/i7/i5/i3 high performance processors, Max. TDP 65W
- 2 x Intel GbE LAN controller
- 8 x Intel GbE PoE LAN controller
- 4 x USB3.0, USB2.0 Type A on board for dongle
- 2 x RS232/RS485, RS485 support auto flow control
- Support both DVI-D and HDMI display port
- 1 x miniPCIe expansion slot, Support Wifi,3G/4G modules
- DC12~24V Power supply with overcurrent, overvoltage and polarity inverse protection
- Support wall-mounted or DIN-Rail fixing style
- Wide operating temperature -20 ~ 60°C supported



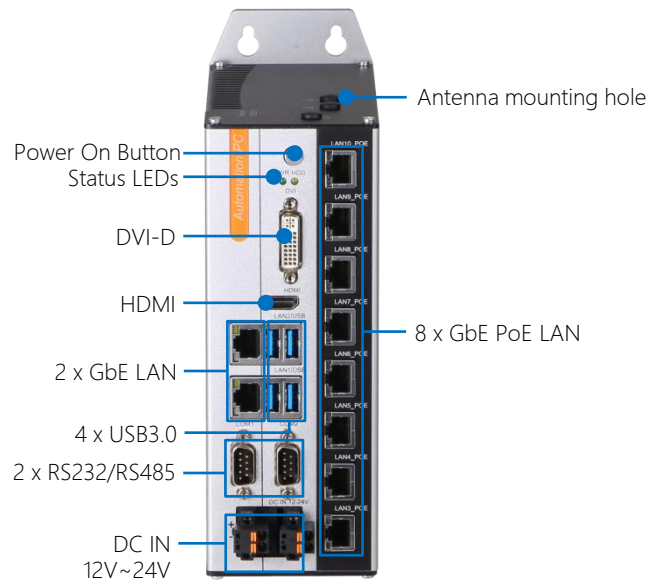
## ■ Specifications

Model Name	NP-6132-8POE	
System	CPU	Intel® Core™ 10th/11th gen i9/i7/i5/i3 LGA1200 type CPU
	TDP	Max. 65W
	BIOS	AMI UEFI 64Mbit
	Memory	2 x SO-DIMM DDR4, max up to 32GB
	Storage	1 x mSATA bay
		1 x M.2(B Key, Type 2280) bay support SATA
	USB	4 x USB3.0, 1 x USB2.0 Type A on the board for USB dongle
	COM	2 x COM(DB-9), selectable to support RS232 or RS485 mode by the switch, RS485 support auto flow control,(ESD protection for RS232: Air gap ±8KV, Contact ±6KV)
	Ethernet	2 x Intel GbE LAN controller
	PoE	8 x Intel GbE PoE LAN controller, max. 15W per channel
	DVI-D	Support up to 1920 x 1080 @60Hz
	HDMI	Support up to 3840 x 2160 @60Hz
	Expansions	1 x Full-size PCIe Mini slot with SIM card holder(with USB signal)
Watch Dog	1~255 levels programmable	
OS Support	Microsoft Windows	Windows 10
	Linux	Ubuntu, CentOS, Debian
Power	Voltage Input	DC12~24V ±10%, overcurrent, overvoltage and polarity inverse protection,
	Power Consumption	Max. 250W
Chassis	Structure	Aluminum-magnesium alloy BOX with fan embedded to assist cooling, Wall-mounted or DIN-Rail fixing style.
	Dimensions	(L)200mm x (W)154.5mm x (H)74.6mm
	Net Weight	2.6Kg
Environment	Work Temperature	-20°C ~ 60°C (-4°F ~ 140°F) with air flow (SSD)
	Storage Temperature	-40°C ~ 80°C (-40°F ~ 176°F) with air flow (SSD)
	Relative Humidity	5~95% (Non-condensing)
	Operating Vibration	5~500Hz, 1.5Grms@with SSD, Follow IEC60068-2-64
	Operating Shock	20G peak acceleration(11ms duration) with SSD, Follow IEC60068-2-27
	EMC	CE/FCC Class A

## ■ Dimensions (Unit: mm)



## ■ Interfaces



## ■ Ordering Information

Part No.	Product	Description
6070200240	NP-6132-8POE	CPU:NULL, RAM:NULL, mSATA:NULL, M.2 SATA: NULL, 2 x RS232/485(Selectable), 2 x LAN, 4 x USB3.0, DVI-D/HDMI display port, 8 x PoE LAN, DC12~24V Power input

## ■ Options

Parts	Description	
CPU	Intel® Core™ Comet lake	i3-10100T, i3-10100, i3-10105T, i3-10105, i5-10400T, i5-10400, i5-10500 ... ..
	Intel® Core™ Rocket lake	i5-11400T, i5-11500T, i5-11600T, i5-11400, i5-11500, i5-11600 ... ..
DDR4 Memory	4GB, 8GB, 16GB	
mSATA SSD	64GB, 128GB, 256GB, 512GB, 1TB	
M.2 SATA SSD	128GB, 256GB, 512GB, 1TB, 2TB	
Wifi Set	miniPCIE WIFI Set (7260 series) ,Cylindrical antenna	
3G/4G Module	mini PCIE, EC20, EG25, EC25	
Mount Option	DIN-Rail	

Note: If some optional parts are offered with the system, additional system certificates may be required in certain regions/countries. Please contact NODKA for certificate compliance.