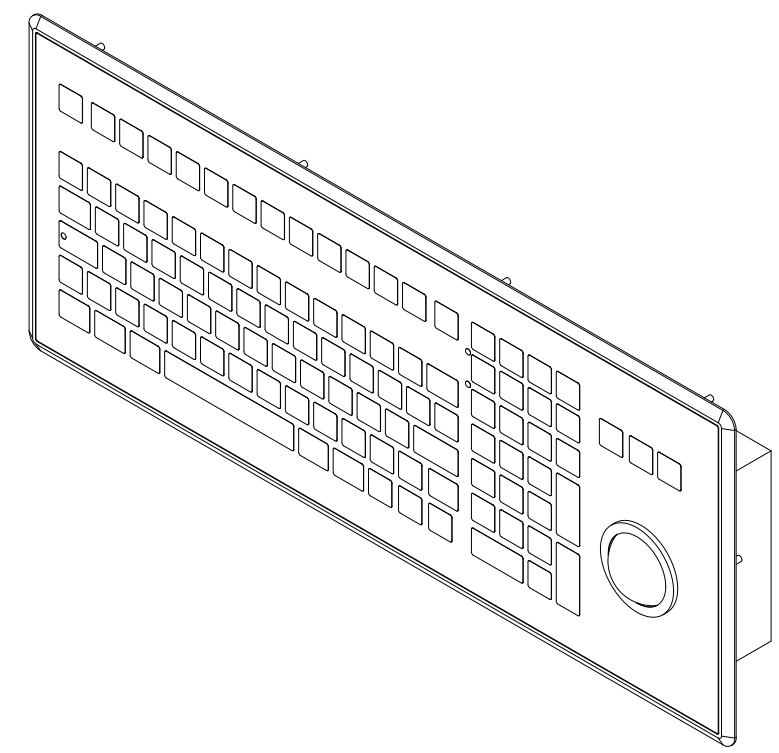
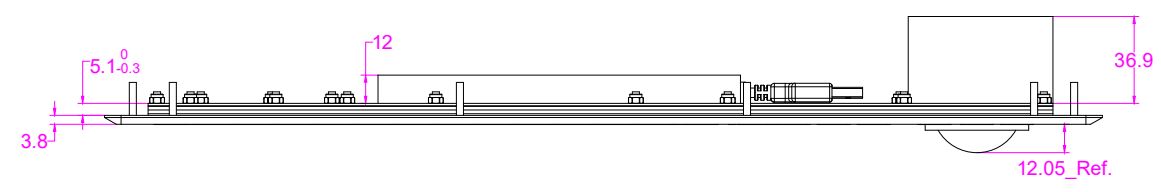
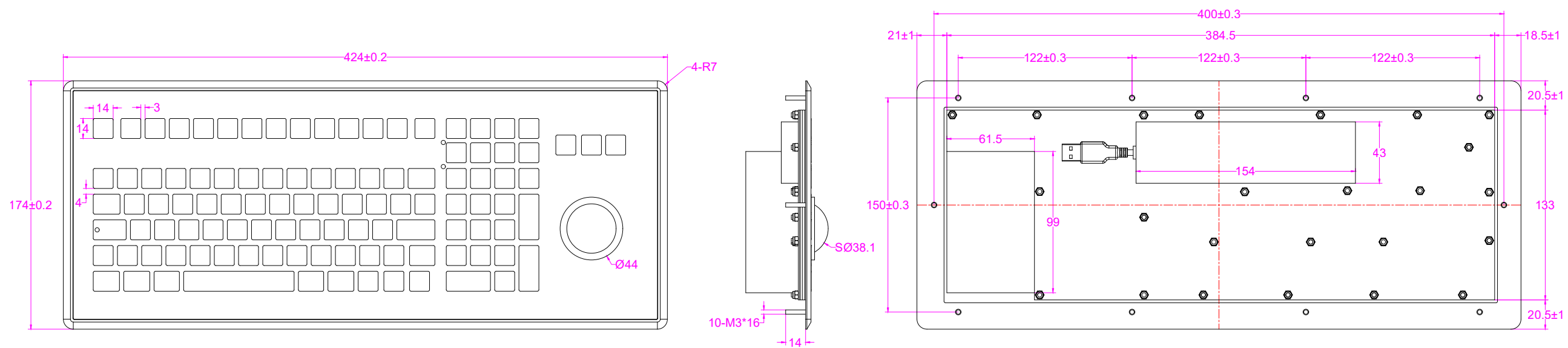



Date	Changes	REV
2023.4.18	Original	1.0



 KEY TECHNOLOGY(CHINA)LIMITED 深圳市键特电子有限公司 www.rugged-key.com www.rugged-key.cn	Part Name				Project Name			
	Part No. K-TEK-D410-OTB-KP-FN-SW-EP				Project No.			
	Material				Scale	1:1	Unit	mm
	Date	2023.04.18	Version	1.0	Tolerance	IT12	Sheet	1 of 1
	Designed	Cen Zhiqiu	Audited		Tony Deng	Approved		