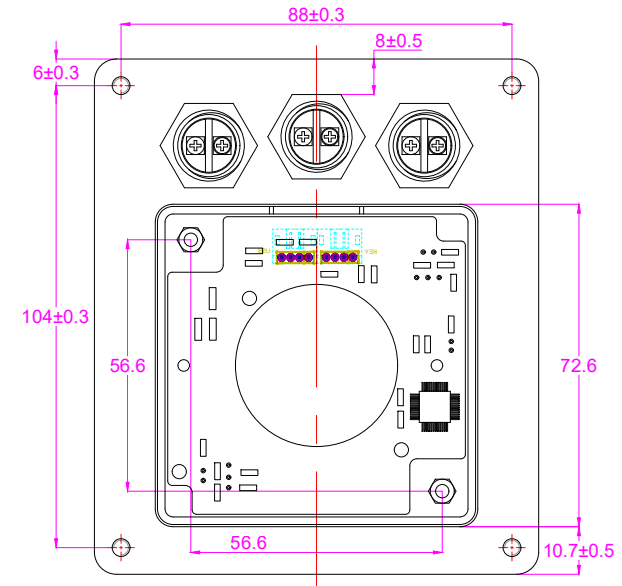
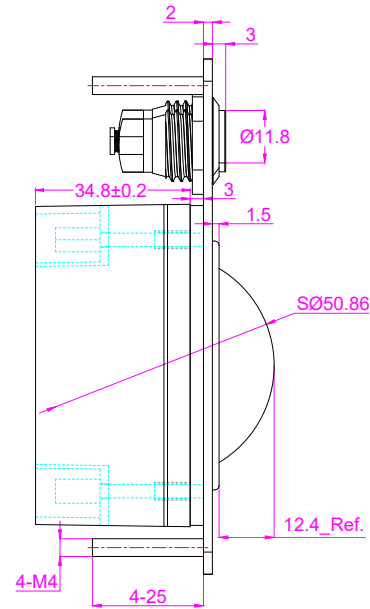
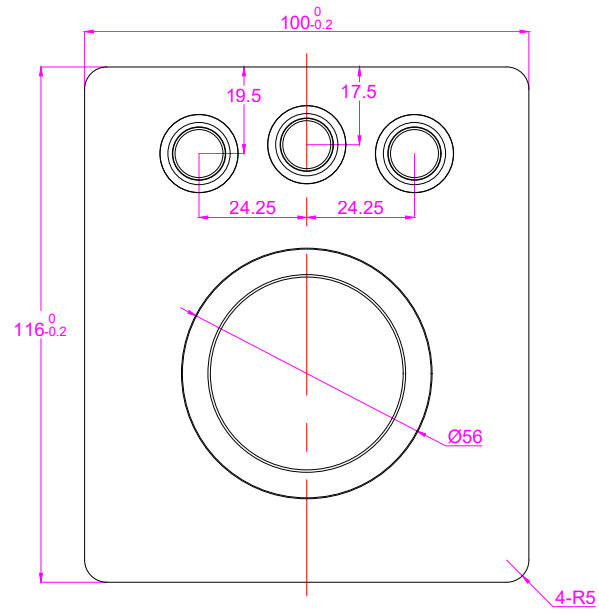
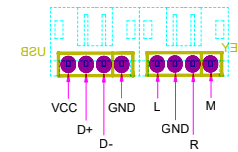


Date	Changes	REV
16.08.2022	Original	1.0



针脚定义



KEY TECHNOLOGY(CHINA)LIMITED

深圳市键特电子有限公司

www.rugged-key.com www.rugged-key.cn



Part Name	K-TEK-B100-50-MTB-ML-AVB			Project Name			
Part No.				Project No.			
Material				Scale	1:1	Unit	mm
Date	16.08.2022	Version	1.0	Tolerance		Sheet	1 of 1
Designed	Zou Chao	Audited		Tony Deng	Approved		