

# IEI Quick Mounting Technology

## Compliant with VESA Mounting Standards

IEI panel solutions have four mounting holes compliant with the VESA (Video Electronics Standards Association) mounting standard (75mm x 75mm/100mm x 100mm) on the rear panel for stand mounting and other mounting methods.

## 1. Stand Mounting

### VESA 75/100 Universal Stand

STAND-A21-R10



Portrait/Landscape



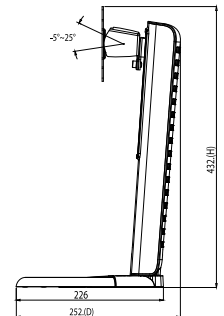
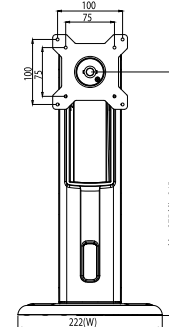
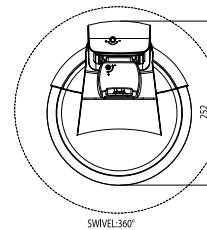
Height Adjustment (13 cm)



Right/Left Pan (360°)



Forward/Backward Tilt (+25°/-5°)

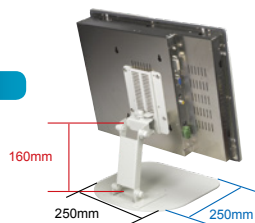


### Ordering Information

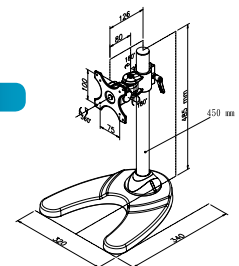
| Part No.      | Description  |
|---------------|--|
| STAND-A21-R10 | 15"~21" VESA 75x75 mm/100x100 mm PPC/Monitor Stand, support from 6 KG to ~12 KG, Black, RoHS |



STAND-100



STAND-210



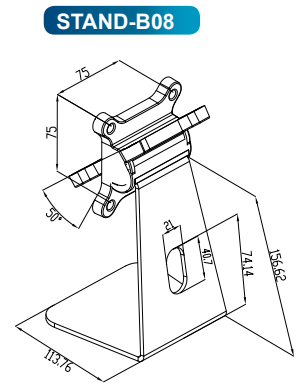
### Ordering Information

| Part No.     | Description  |
|--------------|--|
| STAND-100-RS | <ul style="list-style-type: none"> <li>Material: Heavy-duty steel</li> <li>Adjustable display angle</li> <li>3kg to 8kg loading capacity</li> <li>Color: White (Pantone 413C)</li> </ul> |

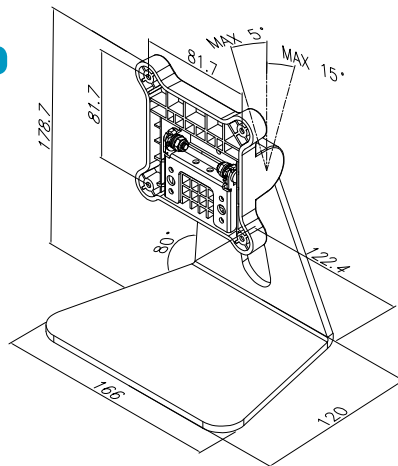
### Ordering Information

| Part No.      | Description   |
|---------------|---|
| STAND-210-R11 | <ul style="list-style-type: none"> <li>Support VESA 75/100 standard</li> <li>Weight capacity from 7kg~10kg</li> </ul> |

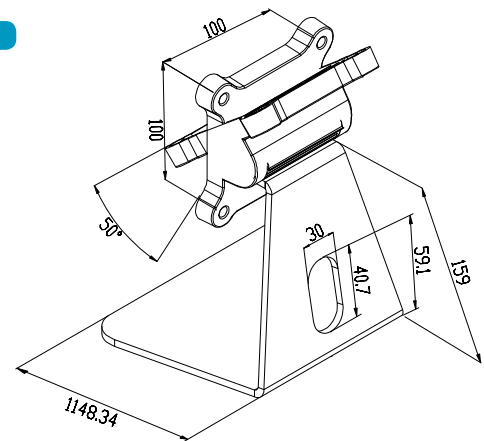
VESA 75/100 Easy Stand



**STAND-A19-RS**



**STAND-A12-RS**



Ordering Information

| Part No.      | Description  |
|---------------|--|
| STAND-B08     | 5.6"~8.4" VESA 75x75mm PPC/monitor stand, support up to 5 kg, Silver color, RoHS               |
| STAND-C12-R10 | 5.7" ~ 12.1" VESA 100x100mm, 75x75mm PPC/Monitor Stand, support up to 7.5kg, Black color, RoHS |
| STAND-A12-RS  | 10"~12.1" VESA 100x100mm PPC/monitor stand, support up to 5 kg, Silver color, RoHS             |
| STAND-A19-RS  | 12.1"~19" VESA 100x100mm PPC/monitor stand, support up to 7.5 kg, Silver color, RoHS           |

## 2. V-STAND

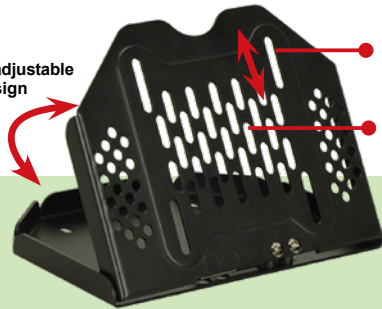
### VESA Multi-Mounting Stand

IEI patented multi-mounting V-Stand allows wall, ceiling, desk, rear and side mounting to meet diverse applications. Its 0° to 90° adjustable hinge design provides optimal viewing in various environments, such as kitchen, room or shelf.

| VESA                    | Model          |
|-------------------------|----------------|
| 75 x 75mm               | VSTAND-A07-R11 |
| 75 x 75mm / 100 x 100mm | VSTAND-A10-R11 |
|                         | VSTAND-A12-R11 |



3. 0° to 90° adjustable hinge design



1. Height adjustable and VESA 75/100 compliant mounting holes

2. Heat dissipation holes help to cool down the system

**Features:**

- 0° to 90° adjustable hinge design allows comfortable viewing
- Standard VESA 75/100 compliance
- Heat dissipation holes
- Compact size, easy to use for mounting anywhere

### A. One fits all solution

The V-Stand is a compact and tilt adjustable mounting stand providing mobility and ergonomic comfort to fit common wall mounting and ceiling mounting situations.



### B. 0° to 90° excellent adjustability

You can change the angle of the stand from 0° to 90° to reach almost any point with ergonomic features for comfortable viewing.



POS System

**No Hinge Limitation!**



Self-ordering System

### C. Space saving and easy installation

Compact size provides mobility



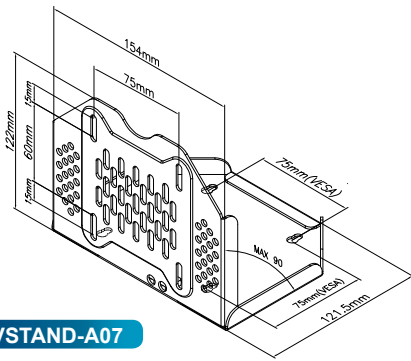
1: Tighten the screws in the rear of the AFOLUX PPC VESA mounting holes



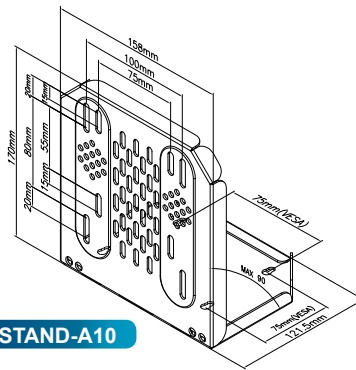
2: Select the position to mount stand kit



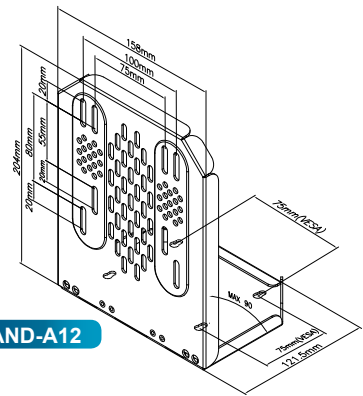
3: Plug in the system to operate



VSTAND-A07



VSTAND-A10



VSTAND-A12

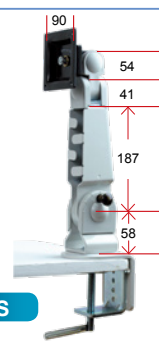
### Ordering Information

| Part No.       | Description   |
|----------------|---|
| VSTAND-A07-R11 | LCD monitor / PPC stand V type, for AFL series, VESA 75, 0°~90° degree adjustable hinge, support up to 2.5 kg, RoHS     |
| VSTAND-A10-R11 | LCD monitor / PPC stand V type, for AFL series, VESA 75/100, 0°~90° degree adjustable hinge, support up to 3 kg, RoHS   |
| VSTAND-A12-R11 | LCD monitor / PPC stand V type, for AFL series, VESA 75/100, 0°~90° degree adjustable hinge, support up to 3.5 kg, RoHS |

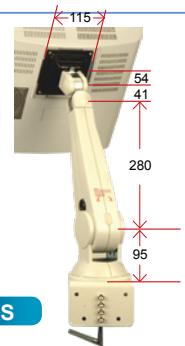
## 3. ARM

### VESA 75/100 Desk ARM

| VESA              | Model     |
|-------------------|-----------|
| 75x75mm/100x100mm | ARM-11-RS |
|                   | ARM-31-RS |



ARM-11-RS



ARM-31-RS

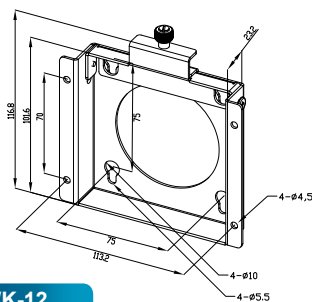
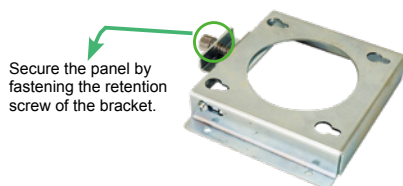
### Ordering Information

| Part No.  | Description  |
|-----------|--|
| ARM-11-RS | LCD Monitor / PPC ARM, VESA 75/100, 3kg~6kg, RoHS  |
| ARM-31-RS | LCD Monitor / PPC ARM, VESA 75/100, 7kg~14kg, RoHS |

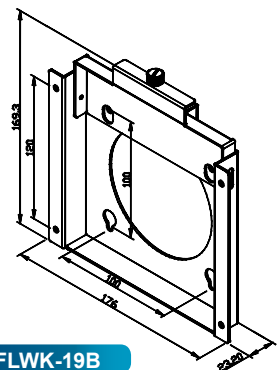
## 4. Wall Mounting

### VESA 75/100 Wall Mounting

| VESA              | Model     |
|-------------------|-----------|
| 75x75mm/100x100mm | AFLWK-12  |
|                   | AFLWK-19B |



AFLWK-12



AFLWK-19B

### Ordering Information

| Part No.  | Description  |
|-----------|--|
| AFLWK-12  | 5.6"~12" VESA 75x75mm PPC/Monitor Wall Mount Kit with Retention Screw, Silver color, RoHS  |
| AFLWK-19B | 15"~19" VESA 100x100mm PPC/Monitor Wall Mount Kit with Retention Screw, Silver color, RoHS |

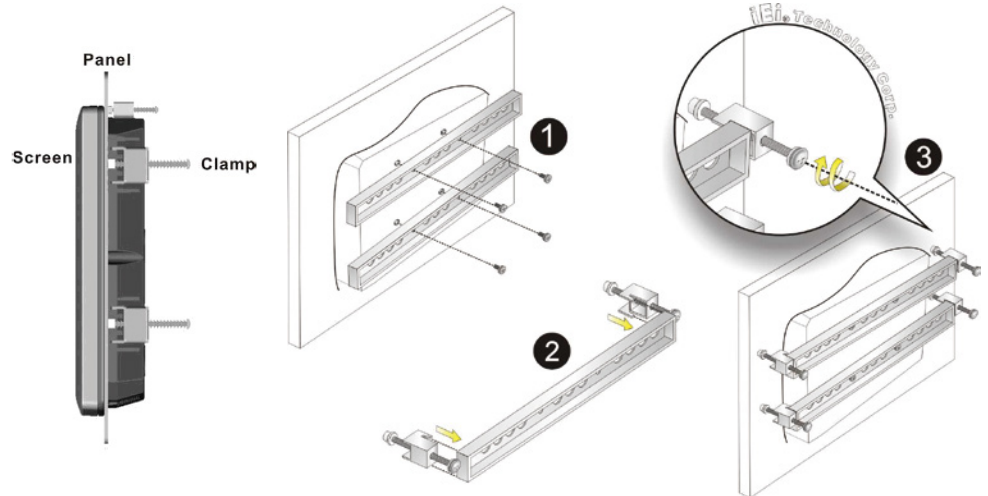
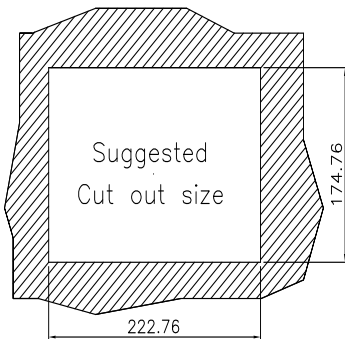
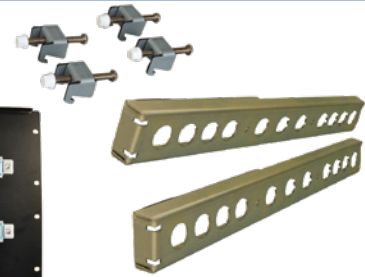


## 5. Panel Mounting \*Please refer to product datasheet for mounting way suggestion

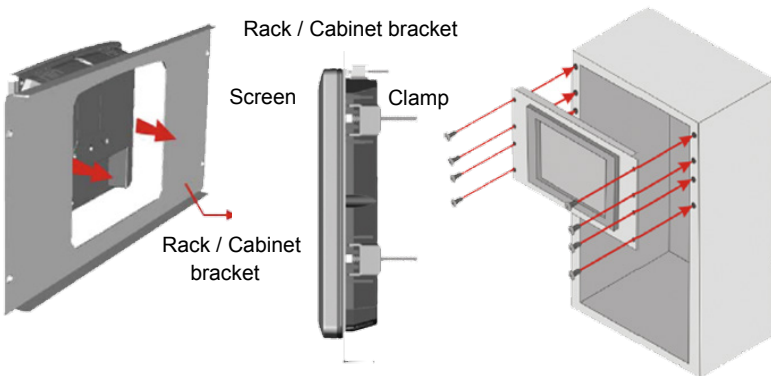
### Type A



### Type B



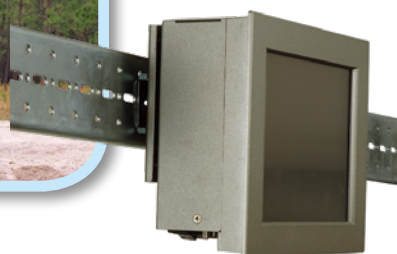
## 6. Rack Mounting



### Ordering Information

| Part No. | Description                   |
|----------|-------------------------------|
| AFLRK-xx | For AFOLUX PPC/Monitor Series |

## 7. Din Mounting



### Ordering Information

| Part No. | Description   |
|----------|---|
| DK-84MS  | For 6.5"~8.4" Industrial Aluminum Panel PCs/Industrial Monitors |