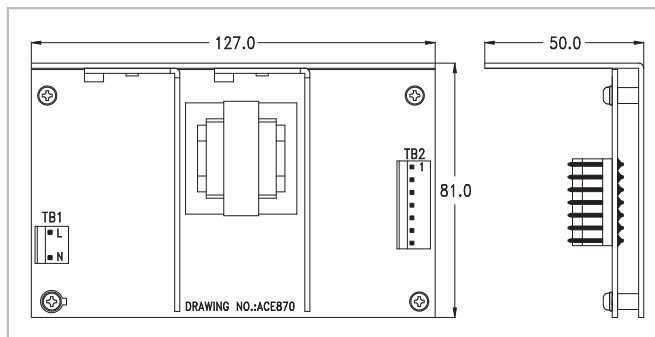


ACE-870C DC Input Open Frame



Input Type	18 ~ 36 VDC				
Output Voltage	+5 V	+12 V	-5 V	-12 V	+24 V
	7 A	2.5 A	0.3 A	0.5 A	
Efficiency	70%				
Temperature	0°C ~ 50°C (Operating), -20°C ~ 85°C (Storage)				
MTBF (hrs)	276,000				
Output Connector	Optional Cable				
Dimensions	127 x 81 x 50 (mm)				

Dimensions (Unit: mm)

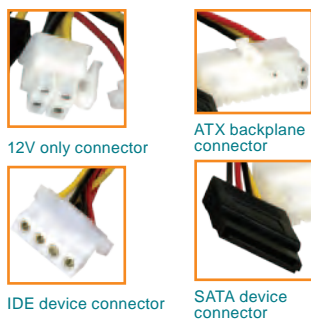


Ordering Information

Part No.	Description
ACE-870C-RS	70W 24V DC Input Open Frame AT Power Supply

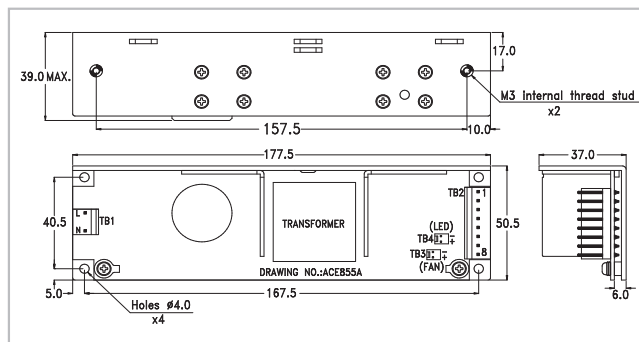
Option 1	Embedded Solution	Option 2	AT P8P9 Backplane Solution
	PN: CB-870EB-RS 30 cm DC cable to CPU card, with 20-pin ATX, HDD and SATA connectors		PN: CB-870P8P9-RS 30 cm DC cable to backplane, with 20-pin ATX, HDD and SATA connectors

ACE-855A/855C DC Input Open Frame



Input Type	85 ~ 264 VAC Full Range (ACE-855A), 16 ~ 32VDC (ACE-855C)				
Output Voltage	+5 V	+12 V	-5 V	-12 V	+24 V
	8 A	1.2A			
ACE-855A	8 A	1.2A			
ACE-845V	6 A	1.1 A			
ACE-855C	8 A	1.2 A			
Efficiency	70%				
Temperature	0°C ~ 60°C (Operating), -20°C ~ 85°C (Storage)				
MTBF (hrs)	335,000 (ACE-855A), 358,000 (ACE-855C)				
Output Connector	Optional Cable				
Dimensions	177.5 x 50.5 x 37 (mm)				

Dimensions (Unit: mm)



Option 1	AC Input Solution
	PN: CB-855EC-RS 20 cm AC input cable with fuse
Option 2	Embedded Solution
	PN: CB-855EB-RS 30 cm DC cable to CPU card, with 20-pin ATX, HDD and SATA connectors
Option 3	AT P8P9 Backplane Solution
	PN: CB-855P8P9-RS 30 cm DC cable AT power to P8P9, HDD and SATA connectors

Ordering Information

Part No.	Description
ACE-855A-RS	55W AC-DC Open Frame AT Power Supply
ACE-855C-RS	55W 24V DC Input Open Frame AT Power Supply

1

Industrial Computing Solutions

2

Video Capture Solutions

3

Embedded Computing Solutions

4

Automation Control

5

ORing Network Communication

6

Power Supply/Peripherals

7

Panel Solutions Introduction